

VARIO

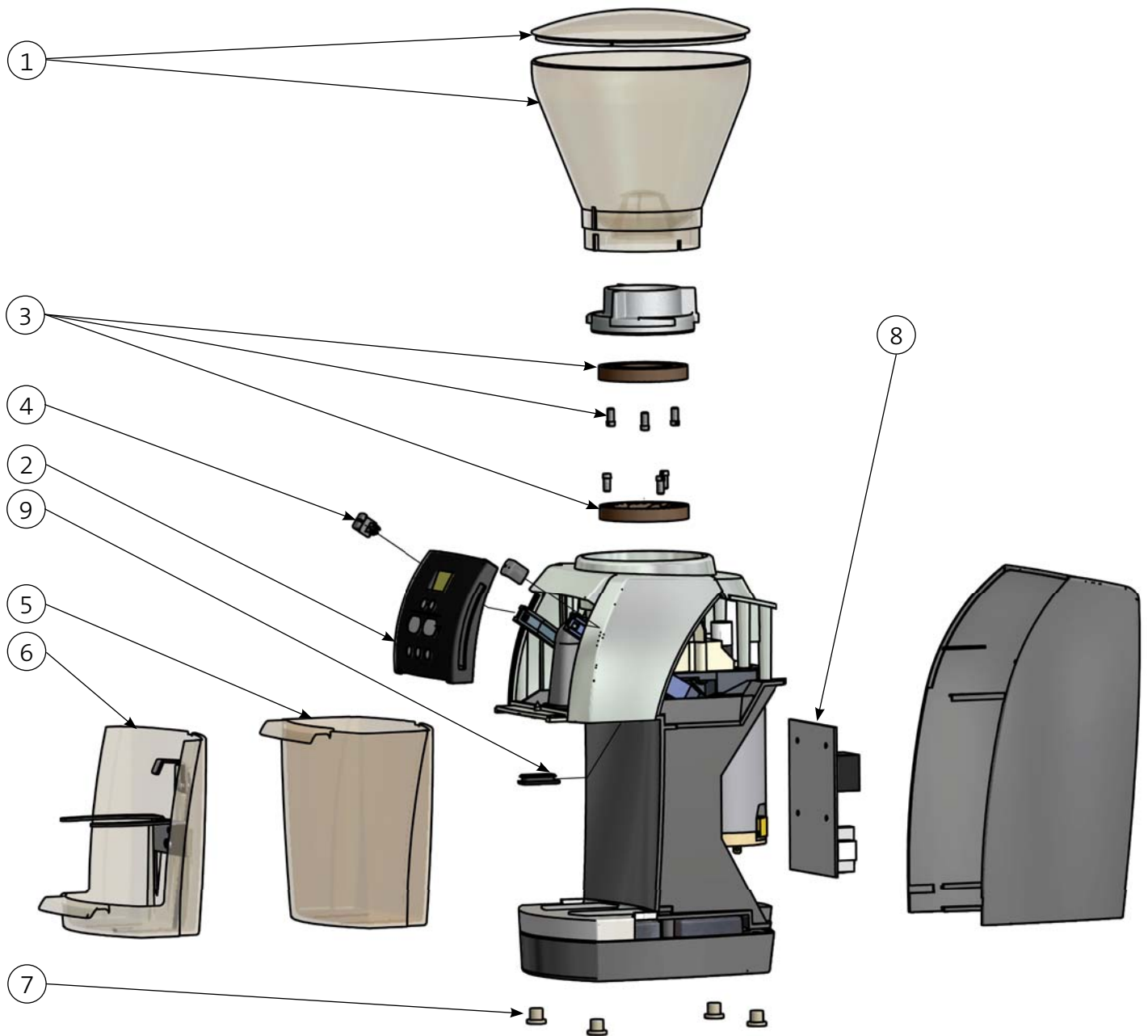
„Grind-on-Demand“

Valid from 01.01.2013
Supersedes all previously issued
spare parts lists

Subject to change without prior notice.

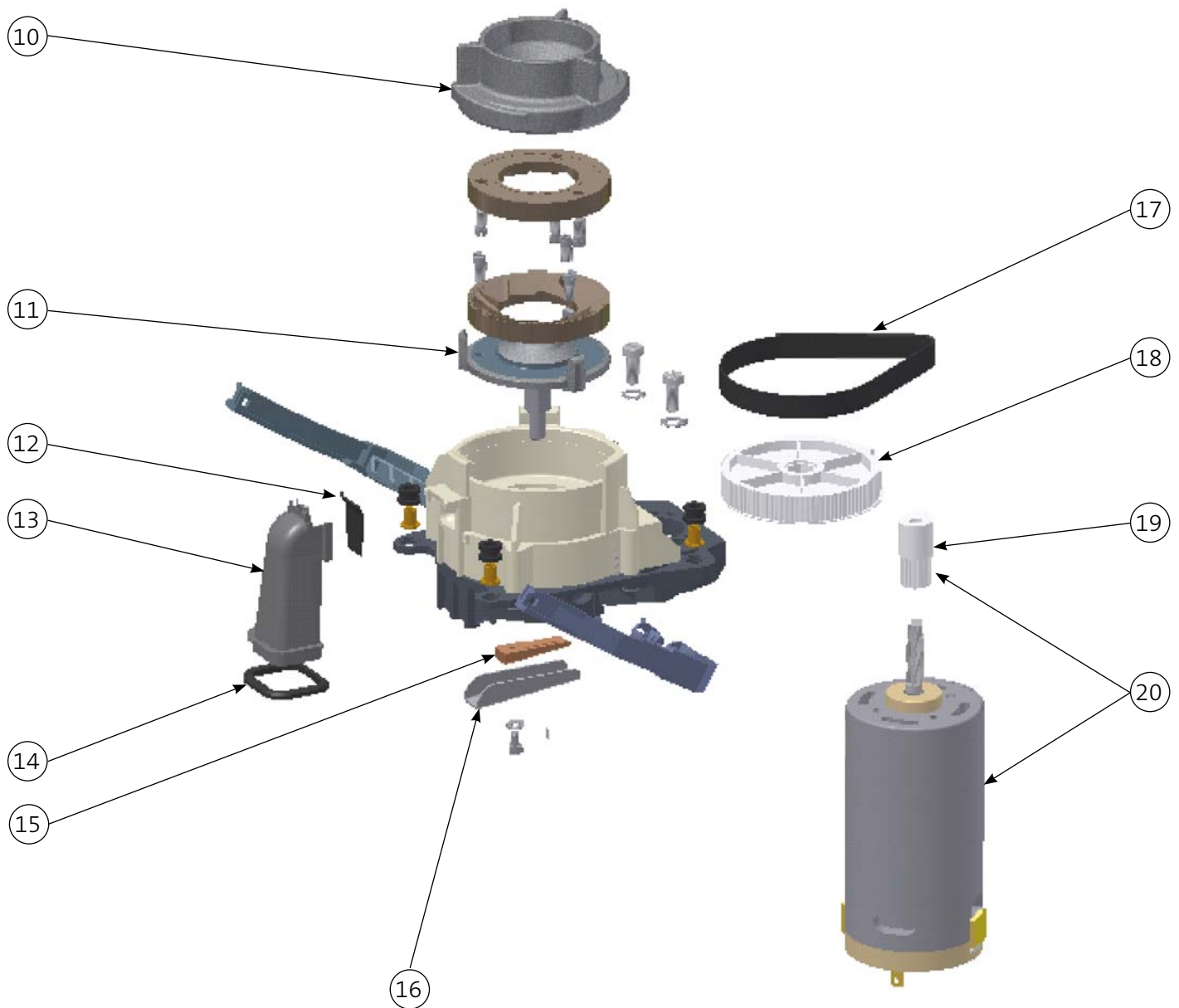


The professional art of grinding
since 1924



Type: VARIO Home Grinder - 200-240V / 50/60Hz

ARTICLE NO.	DRAWING NO.	DESCRIPTION
310409	1	Hopper with lid
310410	2	Display complete (electr. board, buttons, cover)
309713	3	Burr set (2 burrs, 6 screws)
310412	4	Lever knobs (set of 2)
310413	5	Ground coffee bin
310414	6	PortaHolder
310416	7	Feet (set of 4)
310554	8	Power PCB 200-240V (P3 board)
310555	8	Power PCB 100-120V (JET)
310421	9	Calibration grommet
310549	10	Body back panel
101854	--	GRINDZ, pack of 3 sachets



Type: VARIO Home Grinder - 200-240V / 50/60Hz

ARTICLE NO.	DRAWING NO.	DESCRIPTION
309290	10	Fixed burr carrier EK6
309288	11	Rotating burr carrier with axis EK6
309295	12	Flapper EK6
309292	13	Spout EK6
309287	14	Spout gasket EK6
309285	15	Spline EK6
309283	16	Rocker EK6
309282	17	Toothed belt EK6
309276	18	Toothed wheel EK6
101044	19	Motor pulley EK6 (steel)
243522	20	Motor EK6, 230VDC with steel pulley



Changes In The Spare Parts List:

VALID FROM DOCUMENT NO.	ARTICLE NO.	DRAWING NO.	DESCRIPTION	COMMENT
1.2	-	10 - 20	Individual components of the built-in grinder EK6	new in spare parts list
1.3	310554	8	Power PCB 200-240V (P3 board)	new board
1.3	310555	8	Power PCB 100-120V (JET)	new board
1.4	310549	10	Body back panel	new in spare parts list