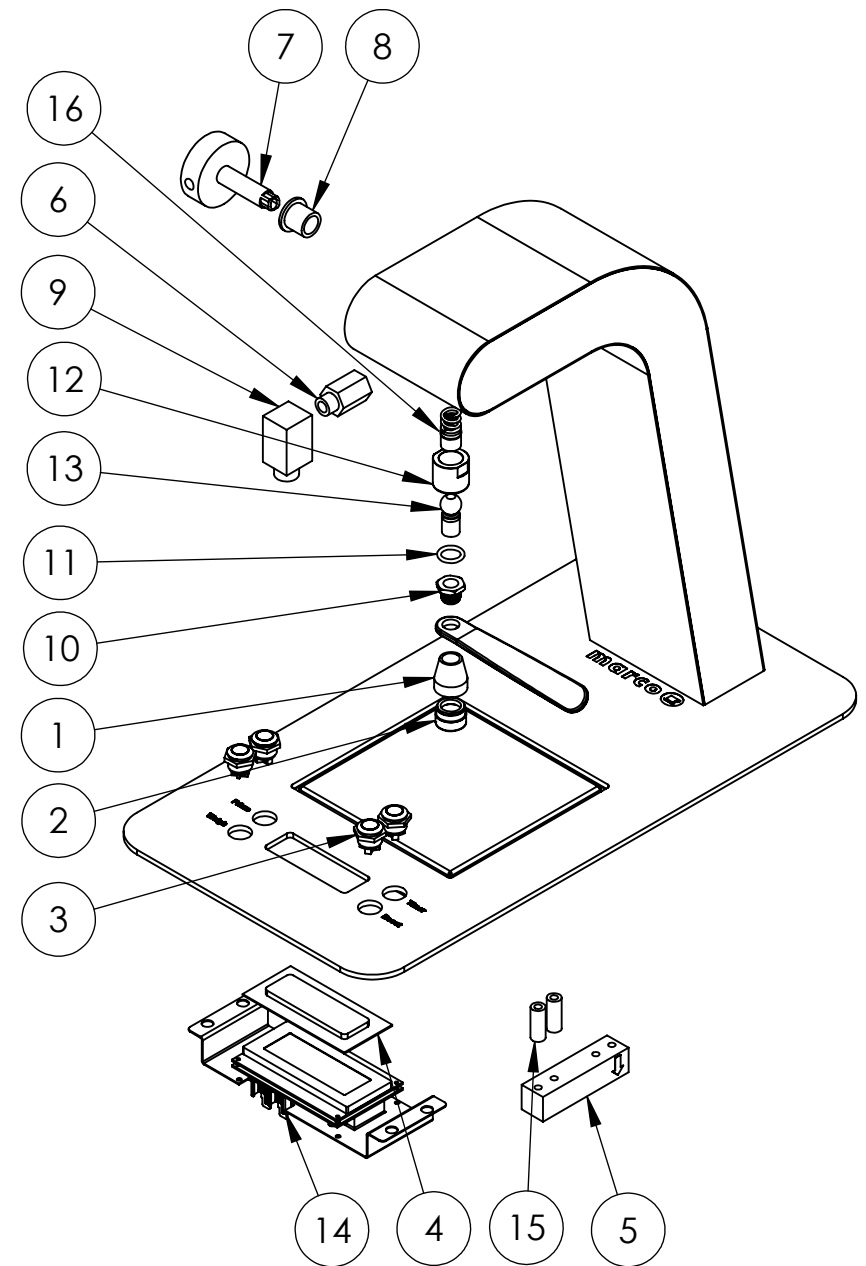


ITEM NO.	PART NUMBER	DESCRIPTION	QTY.
1	1400090	ADAPTOR AERATOR	1
2	2100010	AERATOR TOMLINSON M205Za	1
3	1501218	Push Button Metal Domed 16mm DIA	4
4	1800149	UBER DISPLAY WINDOW	1
5	1503001	Load Cell 5kg M5 WITH CONNECTOR	1
6	2100350	Drain Valve 1/4" BSP	1
7	2200684	FLOW CONTROL DIAL UBER	1
8	1801680	Bearing Slide Nylon 12.5x18x24x18x2	1
9	1400695	Elbow 1/4" BSP Female x 3/8" BSP Male	1
10	1400065	Adaptor 1/8 F X 1/4 M(Gauge)	1
11	1800760	O RING FOR SIGHTGLASS	1
12	70115	Fastener, Ball Socket	1
13	70137	Ball Head, Steam Pipe	1
14	1600405	P.C.B. Uber Display 4x20 Letters	1
15	1401873	Spacer Polystyrene 5.2x10x25	2
16	66885	Steam Spout Set	1



DESCRIPTION: Uber Boiler Top Exploded

DRAWN BY

PC

10/12/12

DWG NO.: 1000680

APPROVED BY

UNLESS OTHERWISE SPECIFIED: DIMENSIONS ARE IN MILLIMETERS
TOLERANCES: LINEAR: +/-0.2mm

MATERIAL:

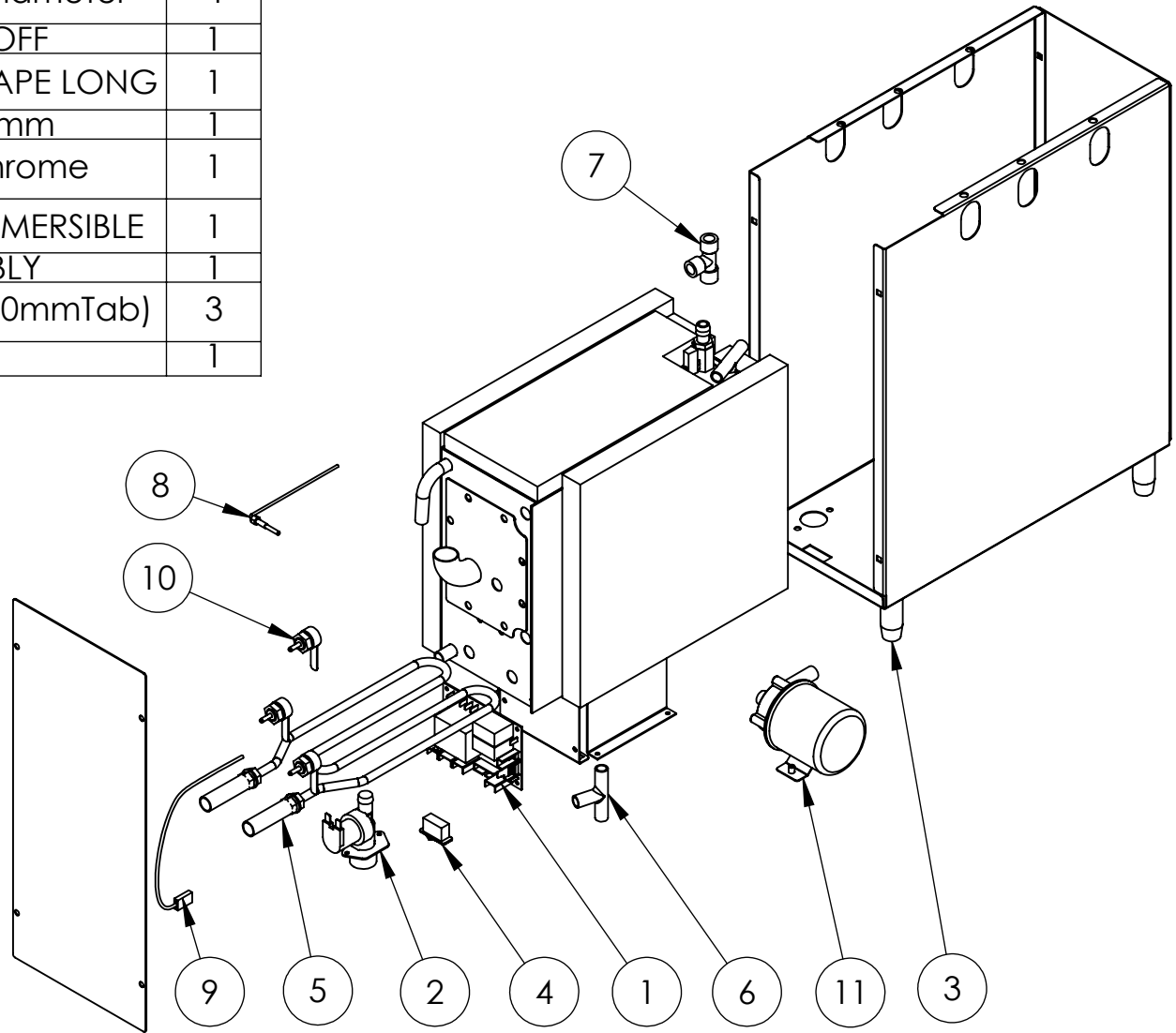
REVISION

a

CO:

SCALE:1:5

ITEM NO.	Part No.	DESCRIPTION	QTY.
1	1600345	P.C.B. Ecoboiler Control	1
2	1502190	VALVE INLET SOLENOID 240V 3/4"	1
3	1700310	Leg 50mm Nylon 22mm Diameter	4
4	1501216	SWITCH POWER ON/OFF	1
5	1500975	ELEMENT 2.8kW 230V M SHAPE LONG	1
6	1402216	Tee Piece 1/2" 36x60mm	1
7	1402214	Tee 1/4" BSP F Equal Chrome	1
8	1600692	THERMISTOR M5 BRASS SUBMERSIBLE	1
9	1600691	THERMISTOR ASSEMBLY	1
10	2301463	Probe Assembly SubCon (40mmTab)	3
11	1501540	Pump Nikkiso	1



UNLESS OTHERWISE SPECIFIED: DIMENSIONS ARE IN MILLIMETERS
TOLERANCES: LINEAR: +/-0.2mm

DESCRIPTION:	Uber Boiler Bottom Exploded	DRAWN BY	PC	06/12/12
DWG NO.:	1000680	APPROVED BY		
MATERIAL:	mm	REVISION	a	CO:
				SCALE:1:7