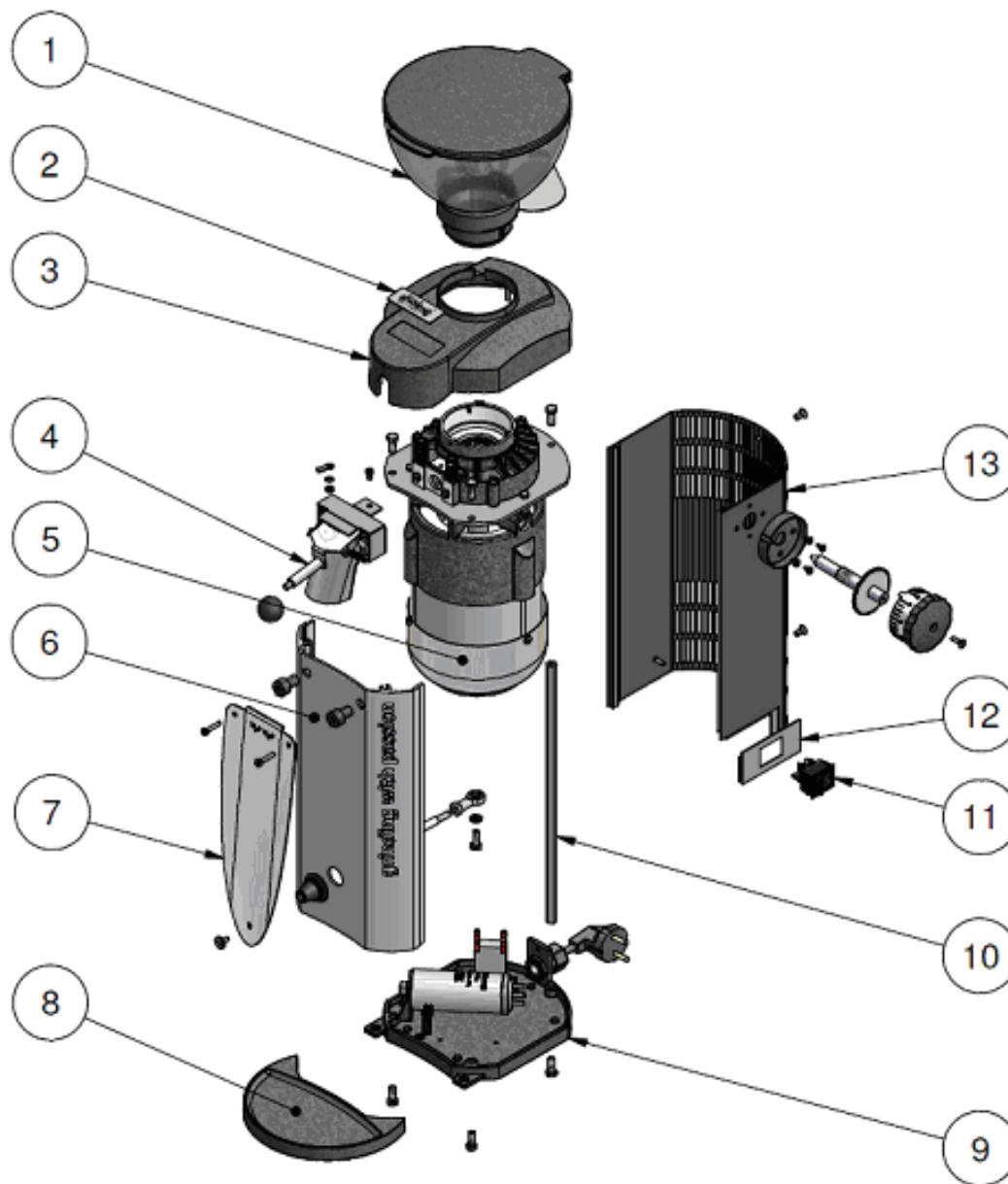
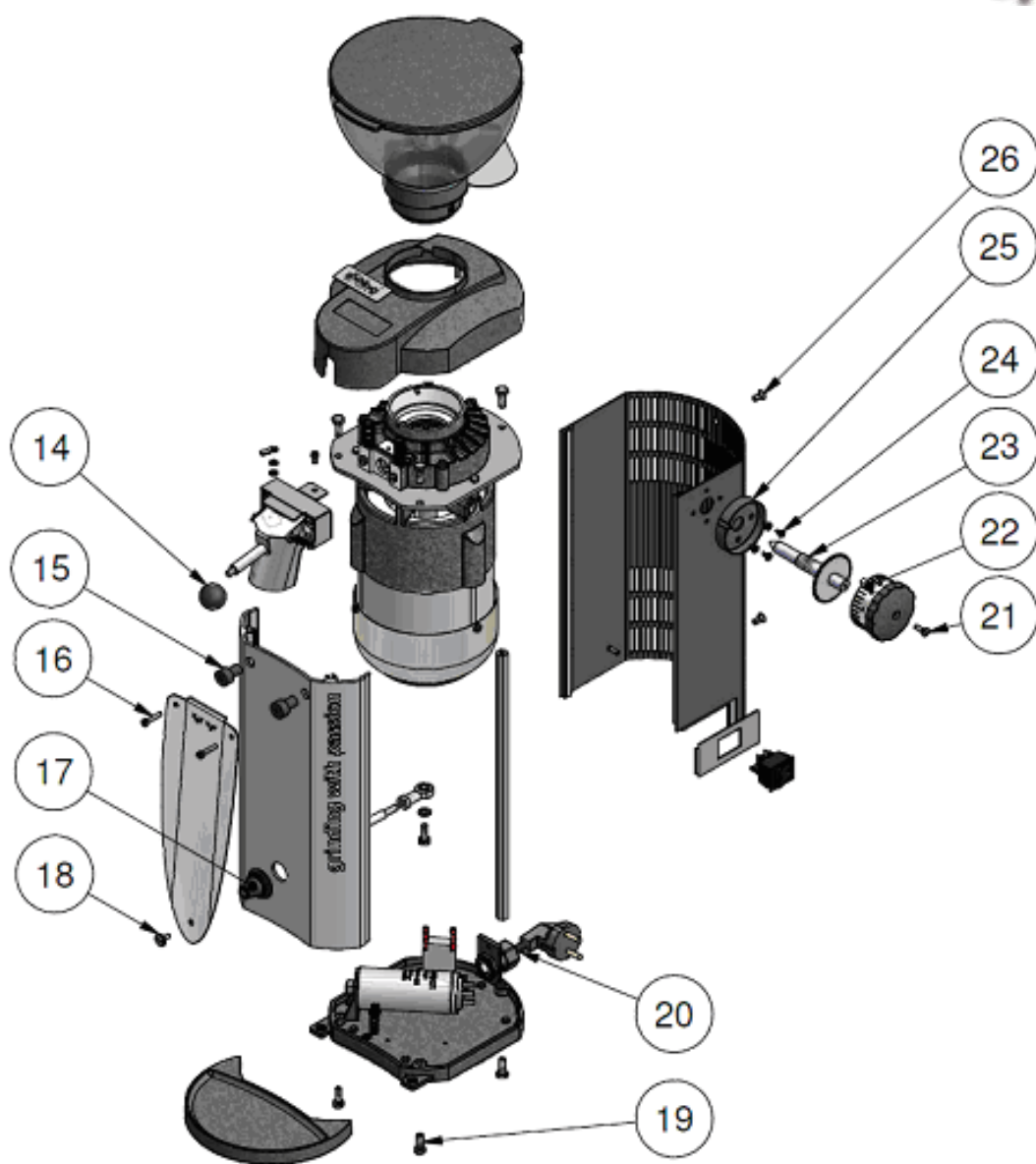


Valid from 01.01.2013
Supersedes all previously issued spare parts lists

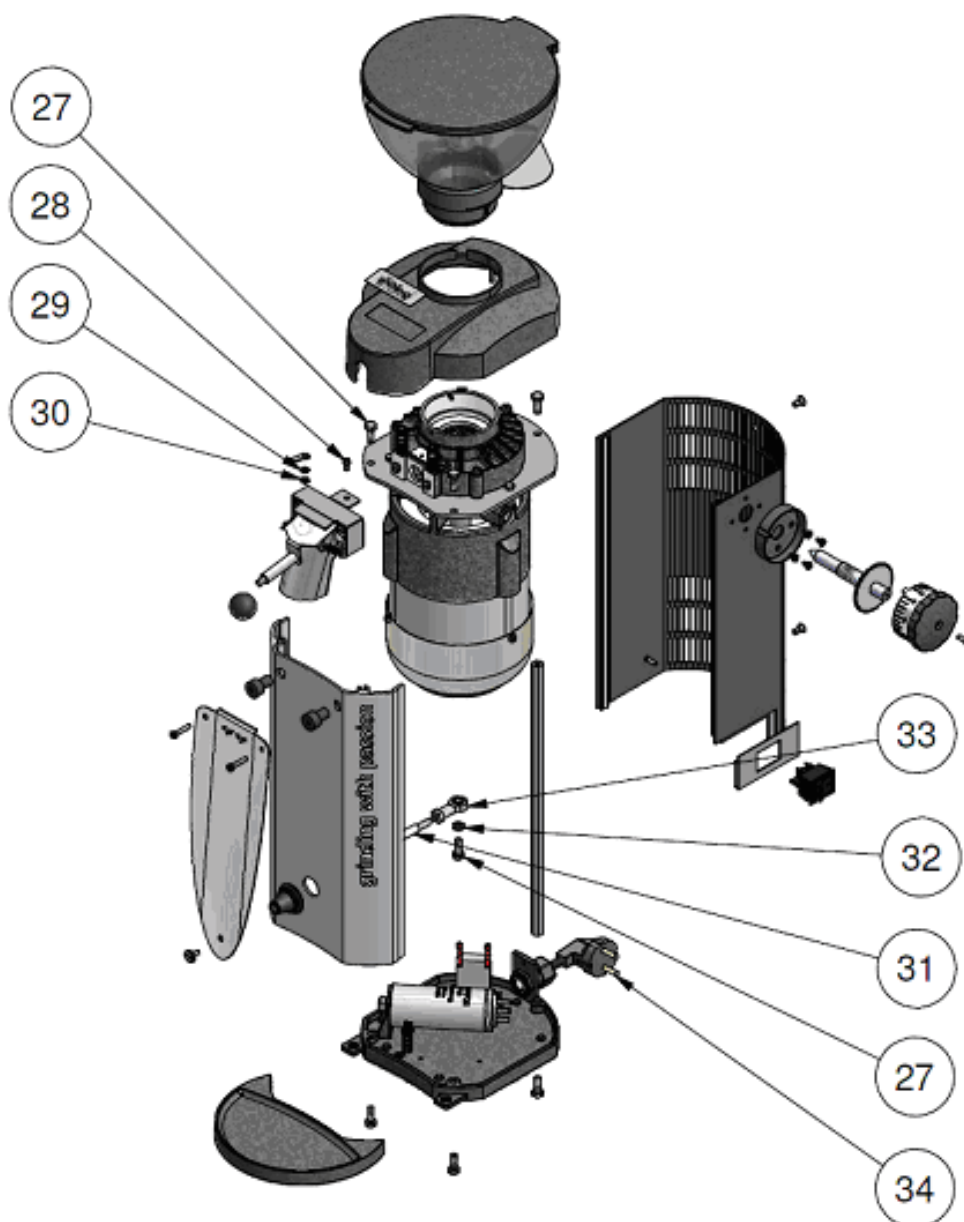
Subject to change without prior notice.



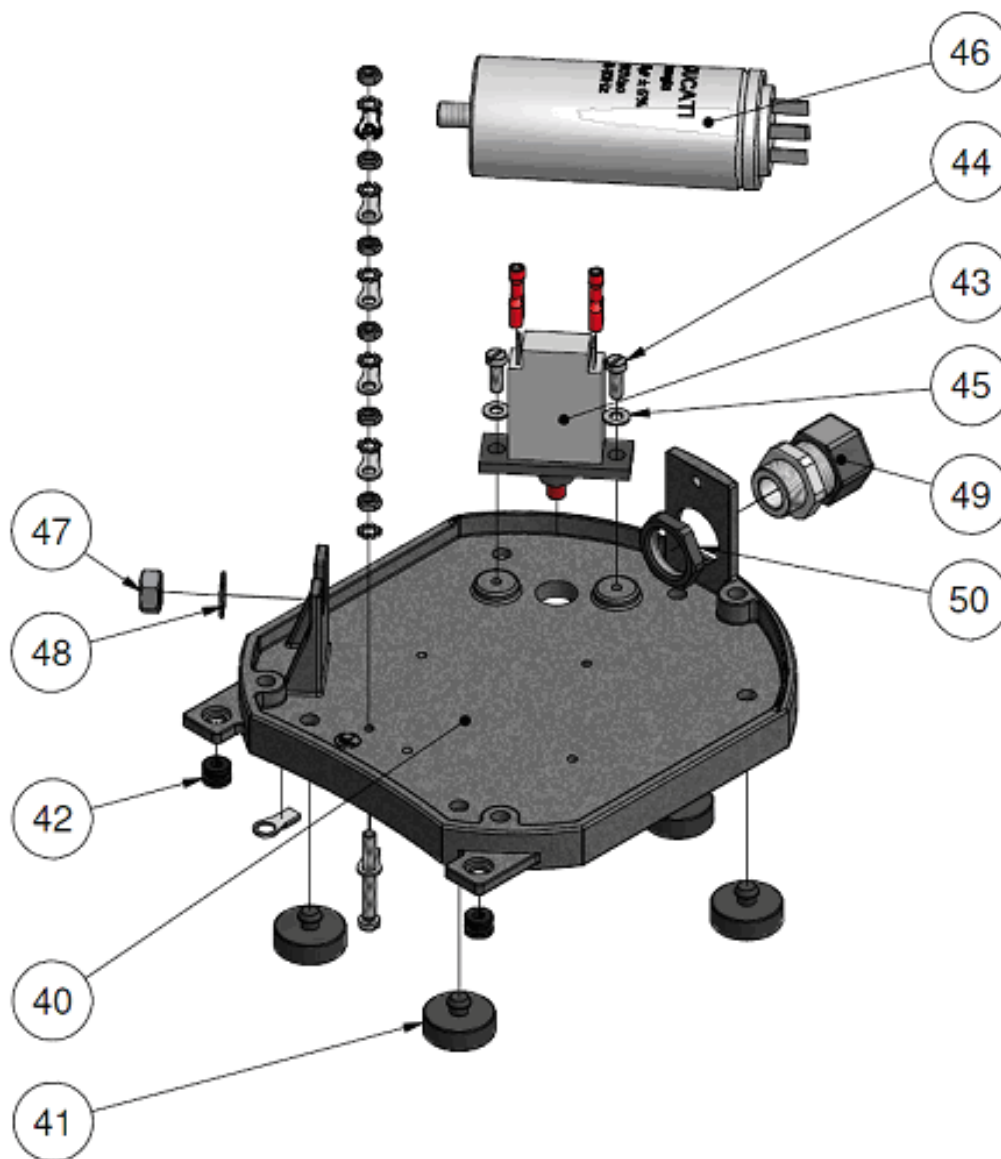
ARTICLE NO.	DRAWING NO.	DESCRIPTION	QUANTITY
230703	1	Hopper complete	1
242642	2	Plate Ditting	1
243413	3	Cover FSF incl. plate	1
243392	4 (14,100-109)	Discharge assembly complete Ditting	1
242850	5 (27, 30, 60-70)	Motor assembly complete 805/ 230V/50Hz	1
242495	6	Front plate	1
230628	7	Vibrator plate round	1
220323	8	Residue tray	1
243386	9 (30, 40-58)	Electric plate compl. 200-240V 50/60Hz	1
242684	10	Hex head rod	1
257432	11	Switch 2pol 16A 250V green	1
243048	12	Switch frame 30x22 anthracite	1
243047	13	Housing panel UL anthracite	1



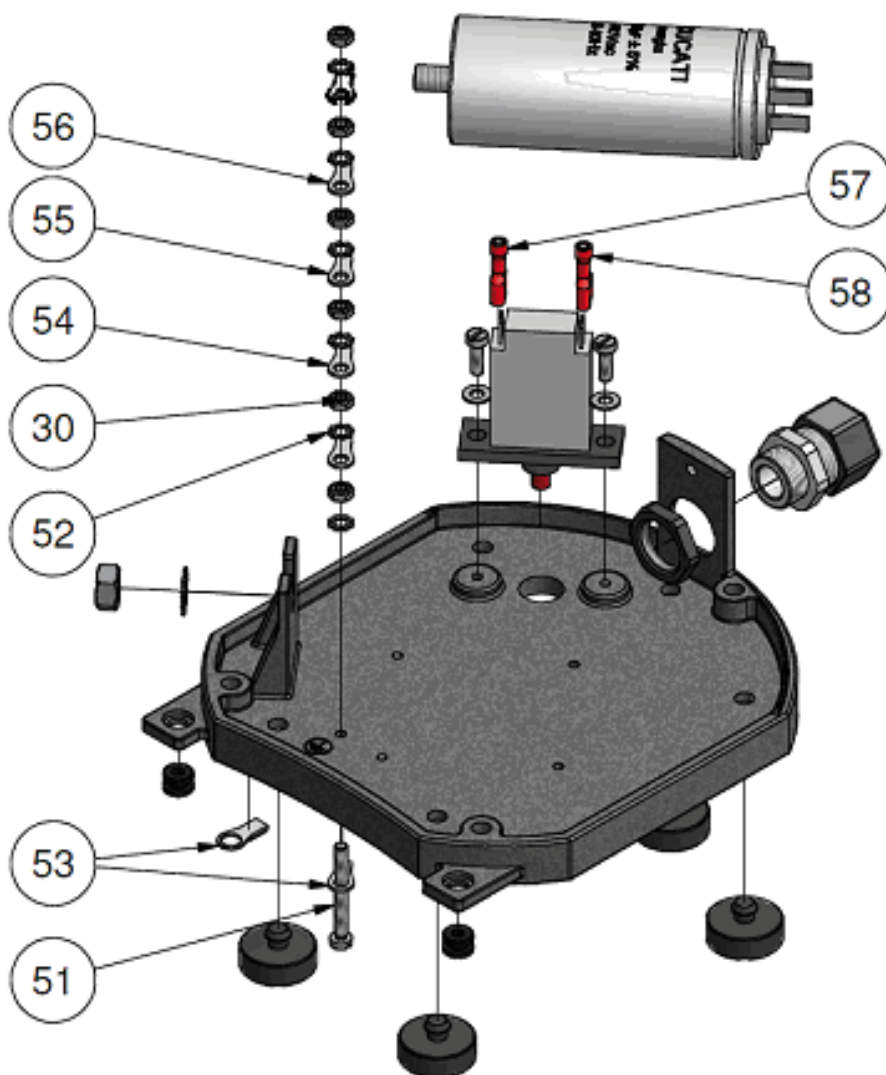
ARTICLE NO.	DRAWING NO.	DESCRIPTION	QUANTITY
255815	14	Handle	1
242487	15	Spacer sleeve	2
250802	16	Cylinder head screw DIN 84 ISO 1207-M4x25 A2	2
255711	17	Cable gland	1
250904	18	Screw	1
250423	19	Screw DIN84 ISO 1207-M6x20 zincked	3
243366	20	Mains cable 3x1 H05 RN-F isolated	1
250240	21	Screw DIN 964 ISO 2010-M4x12 A2	1
242499	22	Adjusting knob	1
240547	23	Adjusting cone	1
250907	24	Screw DIN 7971 ISO 1481-4.2x6.5 F zincked	4
242632	25	Collar	1
250229	26	Screw DIN 963 ISO 2009-M5x10 A2	2



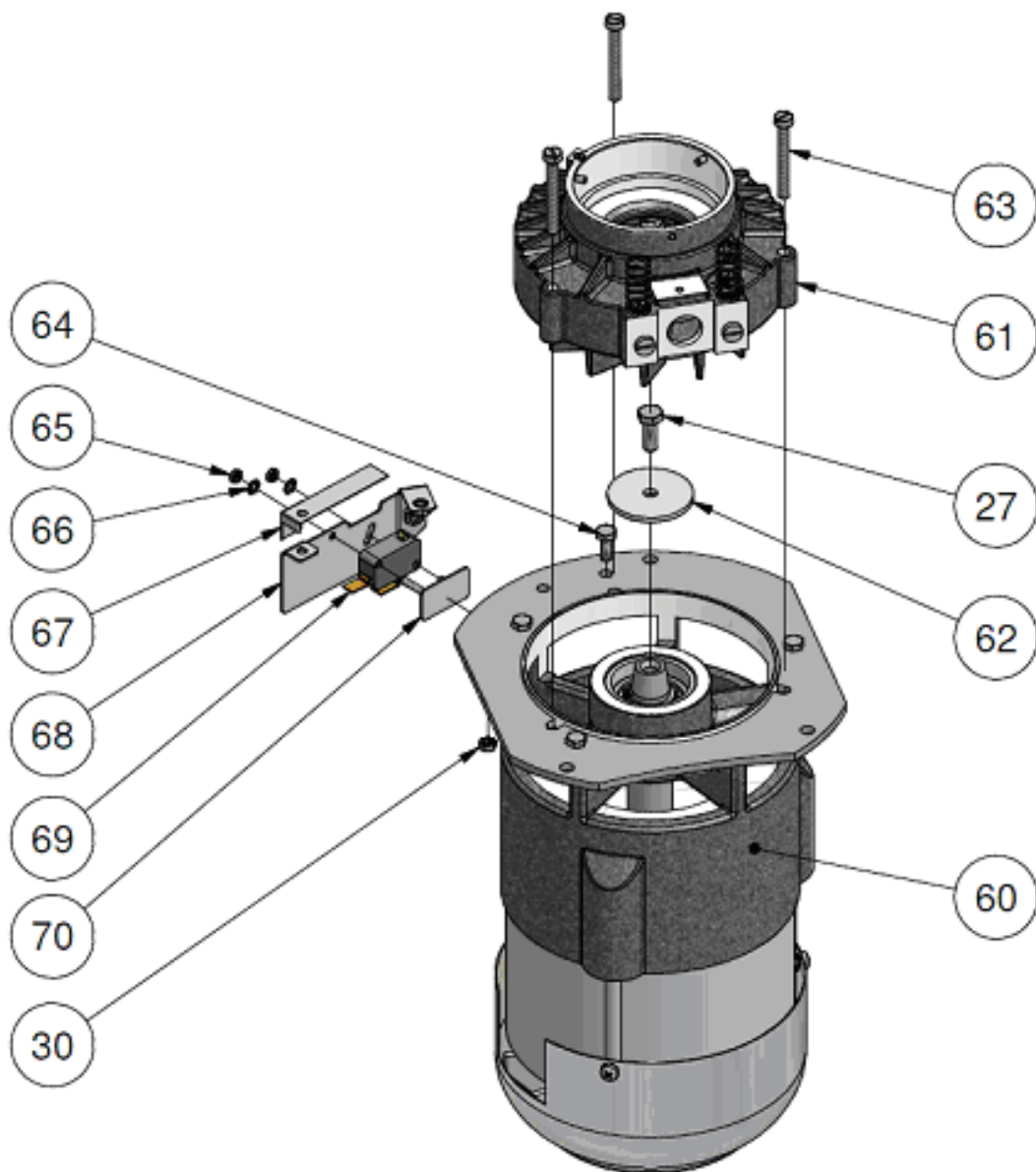
ARTICLE NO.	DRAWING NO.	DESCRIPTION	QUANTITY
250344	27	Screw DIN 933 ISO 4017-M6x16 A2	4
250480	28	Screw DIN 84 ISO 1207-M4x8 A2	1
251504	29	Washer M4 DIN 6797 J zincked	1
251004	30	Nut M4x0.8d DIN 934 zincked	1
240384	31	Shaking rod	1
251538	32	Spring washer M6 DIN 127 B zincked	1
254902	33	Swivel head M6	1
256621	34	Plug Europe straight VDE	1



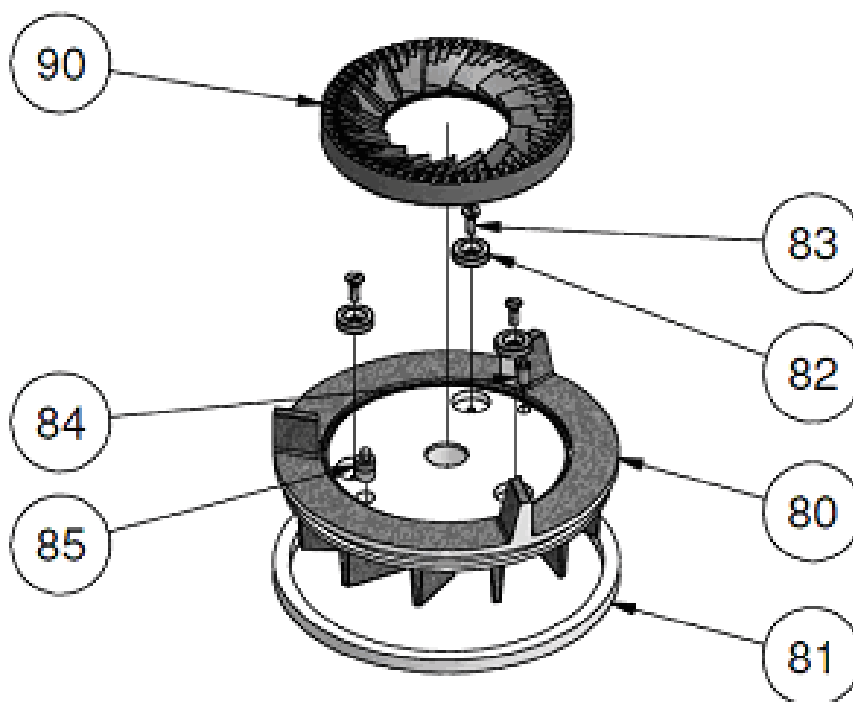
ARTICLE NO.	DRAWING NO.	DESCRIPTION	QUANTITY
242837	40	Base plate anthracite gray, 645-1005	1
255732	41	Rubber foot	5
255730	42	Grommet 9.5x2.5	2
257126	43	Earth leakage circuit breaker therm. 3A	1
250407	44	Screw DIN 84 ISO 1207-M4x12 zincked	2
251516	45	Washer M4 zincked	2
257326	46	Capacitor 16Mfd, 440VAC, P2, UL	1
251007	47	Nut M8x0.8d DIN 934 zincked	1
251521	48	Lock washer M8 DIN 6798 A zincked	1
256918	49	Screw type conduit fitting	1
251010	50	Nut PG11 L DIN 46320-FS/PA	1



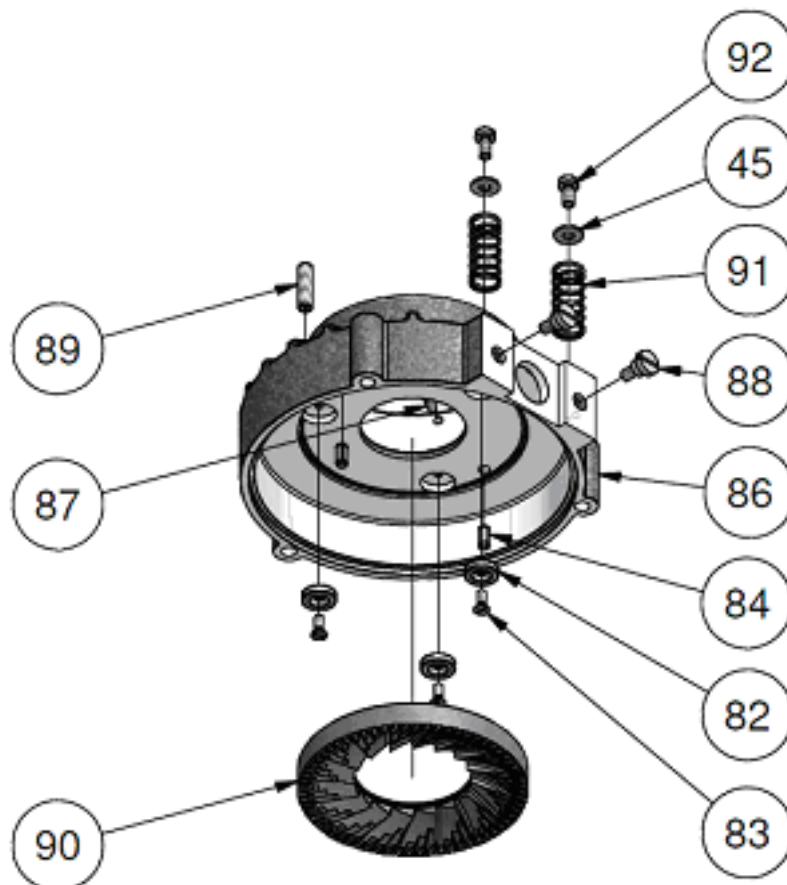
ARTICLE NO.	DRAWING NO.	DESCRIPTION	QUANTITY
250814	51	Cylinder head screw ISO1207-M4x35 zinc.	1
251545	52	Lock washer M4 DIN 6798 A zincked	6
251004	30	Nut M4x0.8d DIN 934 zincked	6
242882	53	Grounding cable l=55mm	1
243202	54	Grounding cable l=170mm	1
242885	55	Grounding cable l=300mm	1
243205	56	Grounding cable l=470mm	1
242883	57	Cable 1x440mm	1
243170	58	Cable 1x200mm	1



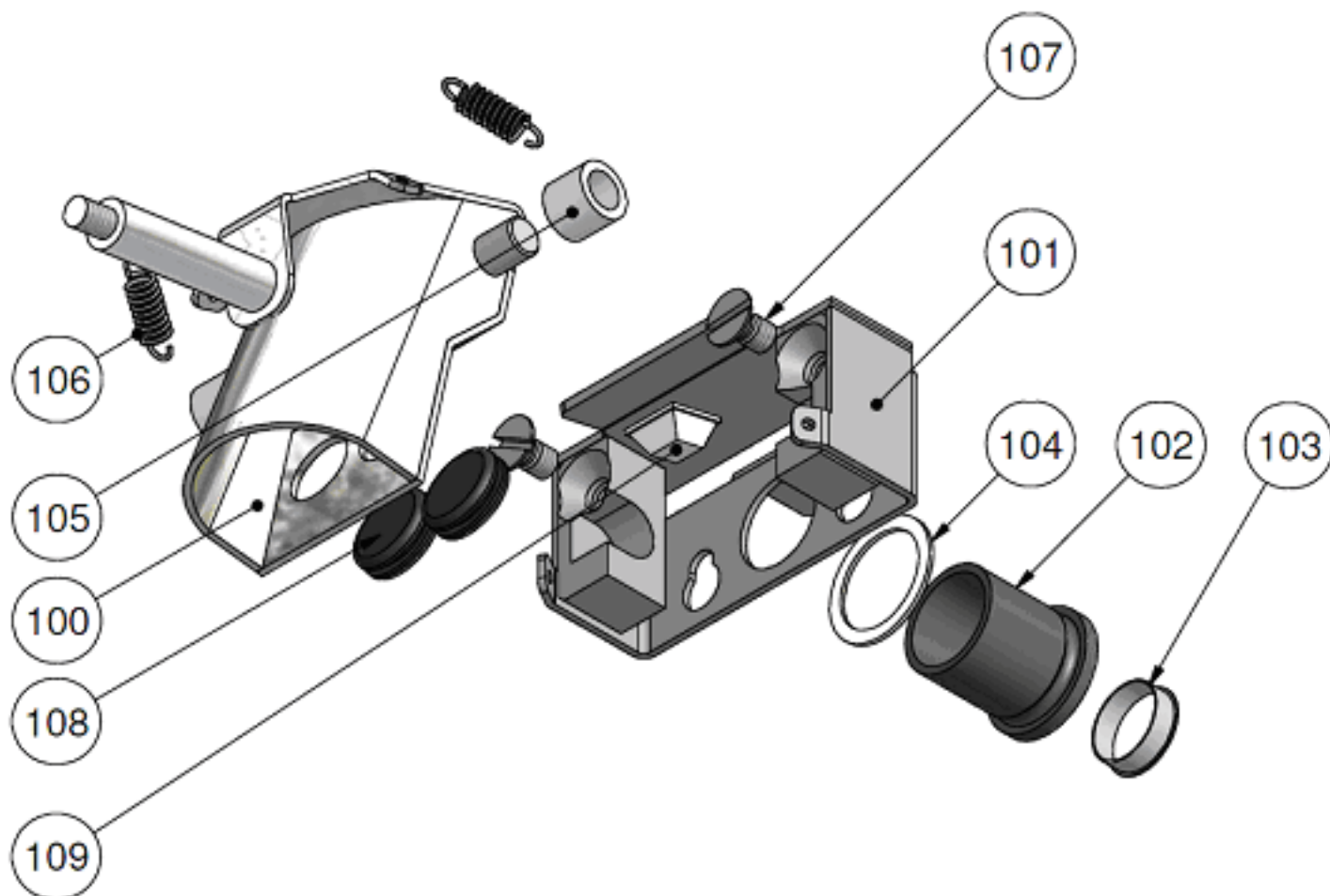
ARTICLE NO.	DRAWING NO.	DESCRIPTION	QUANTITY
242805	60 (30,67,110-131)	Electric drive 230V/50Hz	1
242859	61 (45, 80-92)	Grinding assembly complete 805/	1
242817	62	Washer 38/6.15 x 2.5	1
250344	27	Screw ISO 4017-M6x16 A2	1
250804	63	Screw ISO 1207 M5x40 zincked	3
251004	30	Nut M4x0.8d DIN 934 zincked	1
250306	64	Screw ISO 4017-M5x12 zincked	1
251037	65	Nut M3x0.8d DIN 934 A2	2
251597	66	Toothed washer M3 DIN 6797A A2	2
243374	67	Laminated spring interlock	1
230827	68	Retaining plate interlock	1
257431	69	Microswitch	1
243370	70	Adjustable sheet	1



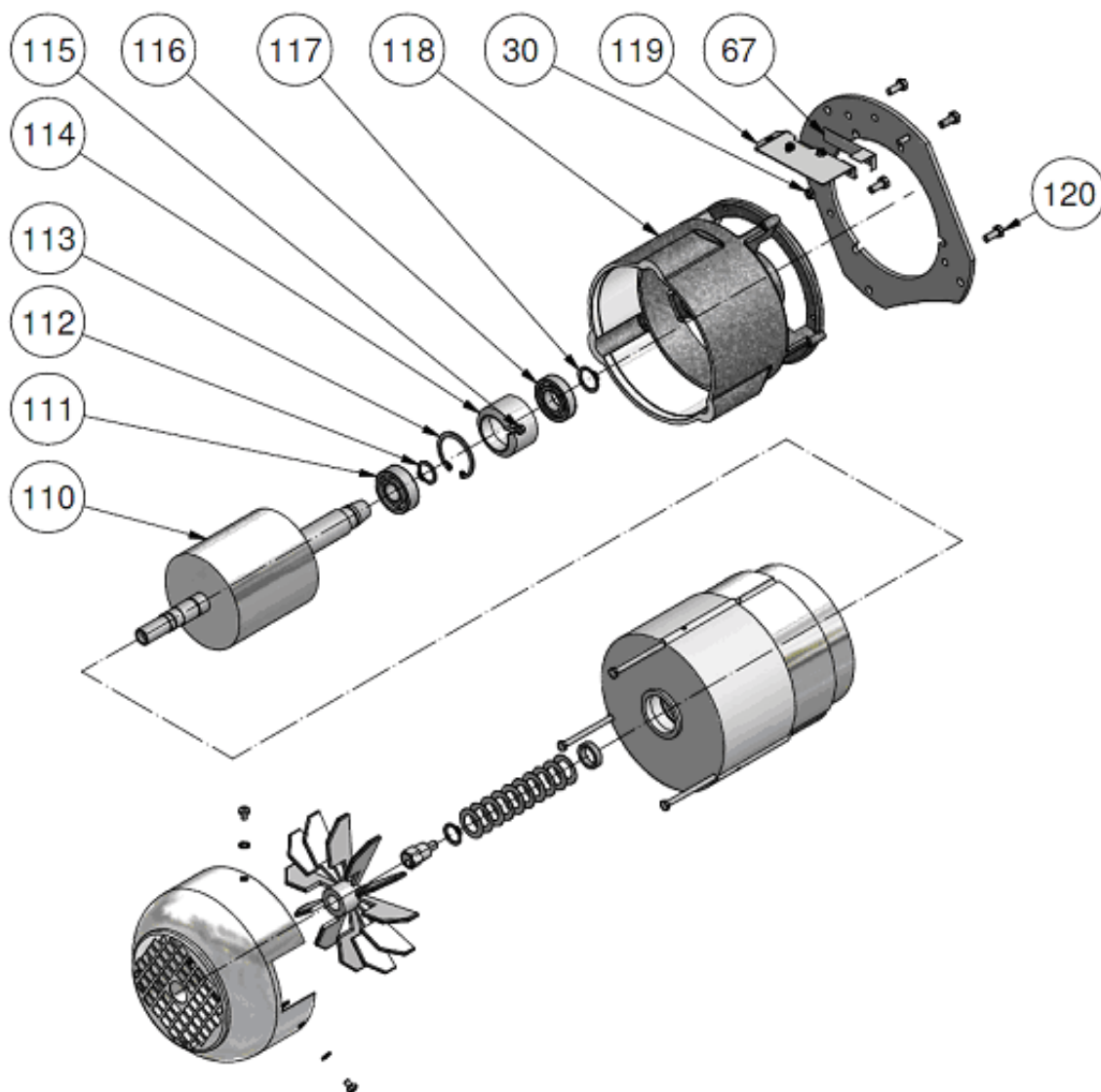
ARTICLE NO.	DRAWING NO.	DESCRIPTION	QUANTITY
230762	80	Rotating disc flange ø80 magnet, 805/	1
242639	81	Felt ring	1
254929	82	Magnet M732.8 12/3.5x3	3
250226	83	Screw ISO 2009-M3x8 A4	3
254435	84	Pin VSM12785 D4x8	1
254934	85	Side spring-loaded thrust pad ø3x4	1
275312	90	Grinding disc set ø80mm	1



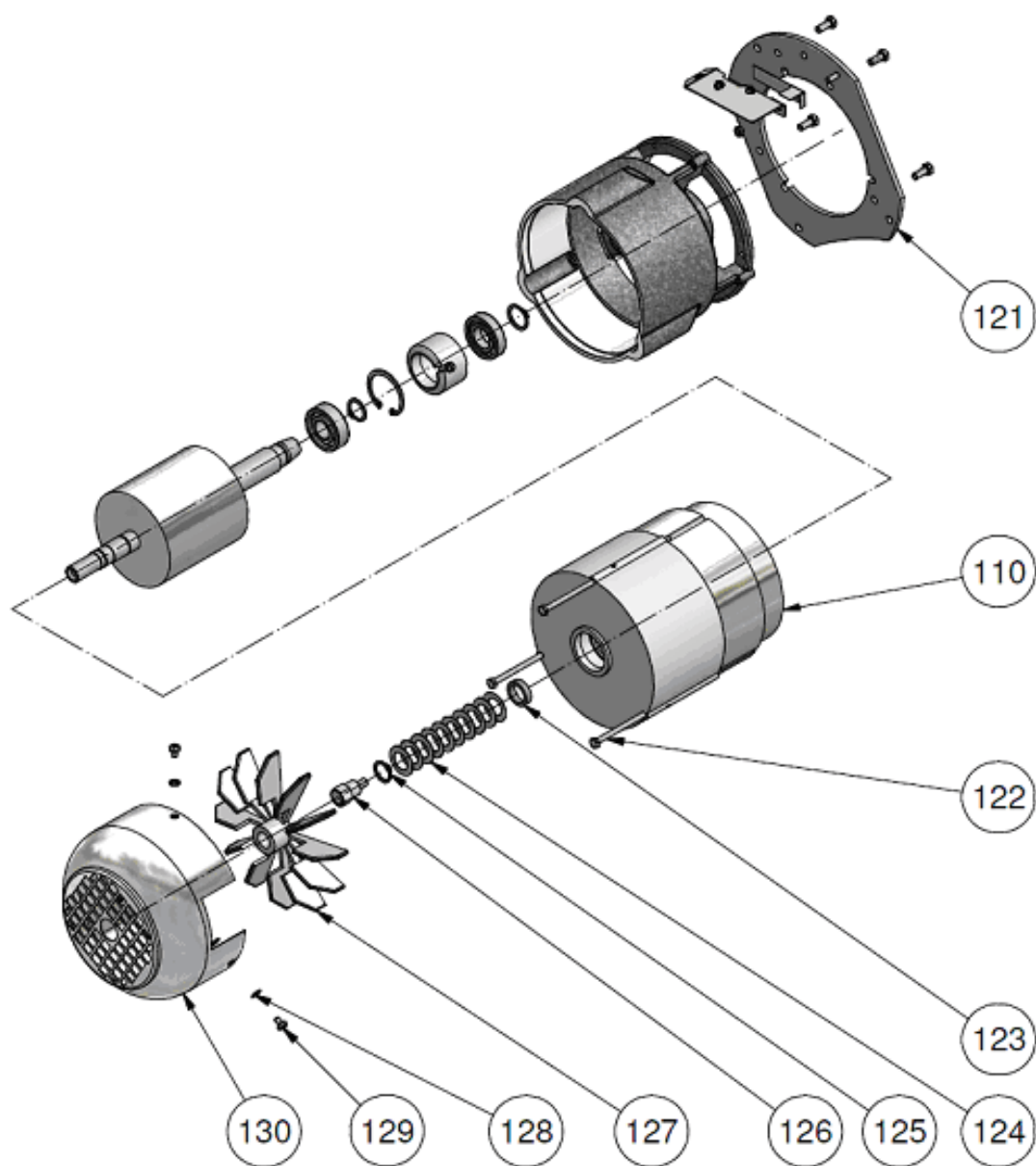
ARTICLE NO.	DRAWING NO.	DESCRIPTION	QUANTITY
254929	82	Magnet M732.8 12/3.5x3	3
250226	83	Screw ISO 2009-M3x8 A4	3
254435	84	Pin VSM12785 D4x8	2
220386	86	Stationary disc flange ø80mm, ()	1
254432	87	Pin	3
241647	88	Screw	2
254930	89	Side spring-loaded thrust pad M5x18	1
275312	90	Grinding discs ø80mm	1
252307	91	Spring 26x11x1 7.5 windings right	1
251516	45	Washer M4 zincked	2
250932	92	One-way screw M4x8 A2	2



ARTICLE NO.	DRAWING NO.	DESCRIPTION	QUANTITY
242810	100	Spout complete	1
242814	101	Spout support complete	1
240125	102	Rubber tube 805/	1
240261	103	Sleeve 805/	1
240411	104	Washer 805/	1
241440	105	Bearing 12/8x10 PA66	2
242874	106	Tension spring 17,1/8,1x6,3x0,9	2
250215	107	Screw DIN 963 ISO 2009-M6x12 A2	2
255703	108	Rubber buffer	2
255710	109	Rubber joint	1



ARTICLE NO.	DRAWING NO.	DESCRIPTION	QUANTITY
230677	110	Stator 230V / 50Hz incl. rotor	1
254000	111	Ball bearing 6202-2ZR 15x35x11	1
252023	112	Circlip 15Ax1 DIN 471 black	1
252009	113	Circlip 35ix1,5 DIN 472 black	1
242670	114	Bearing bush	1
250406	115	Screw DIN 84 ISO 1207-M4x10 verz	1
254027	116	Ball bearing 16003, 17x35x8	1
252018	117	Circlip 17Ax1 DIN 471 black	1
220334	118	Machined housing	1
251004	30	Nut M4x0.8d DIN 934 zincked	1
230828	119 (65,66,68-70)	Interlock switch complete	1
243374	67	Laminated spring interlock	1
250306	120	Screw DIN 933 ISO 4017-M5x12 zincked	4



ARTICLE NO.	DRAWING NO.	DESCRIPTION	QUANTITY
242776	121	Attachment disc housing, coloured	1
230677	110	Stator 230V / 50Hz incl. rotor	1
250349	122	Hexagonal screw DIN 933 ISO 4017-M4x130/30 black	3
242614	123	Intermediate ring	1
252411	124	Plate spring 23,7/14,3x0,4/0,9	10
252028	125	Circlip D14Ax1, DIN 471	1
243225	126	Excentric	1
230671	127	Fan	1
251594	128	Lock washer M4	6
250810	129	Screw M4x6	3
243103	130	Ventilation hood	1