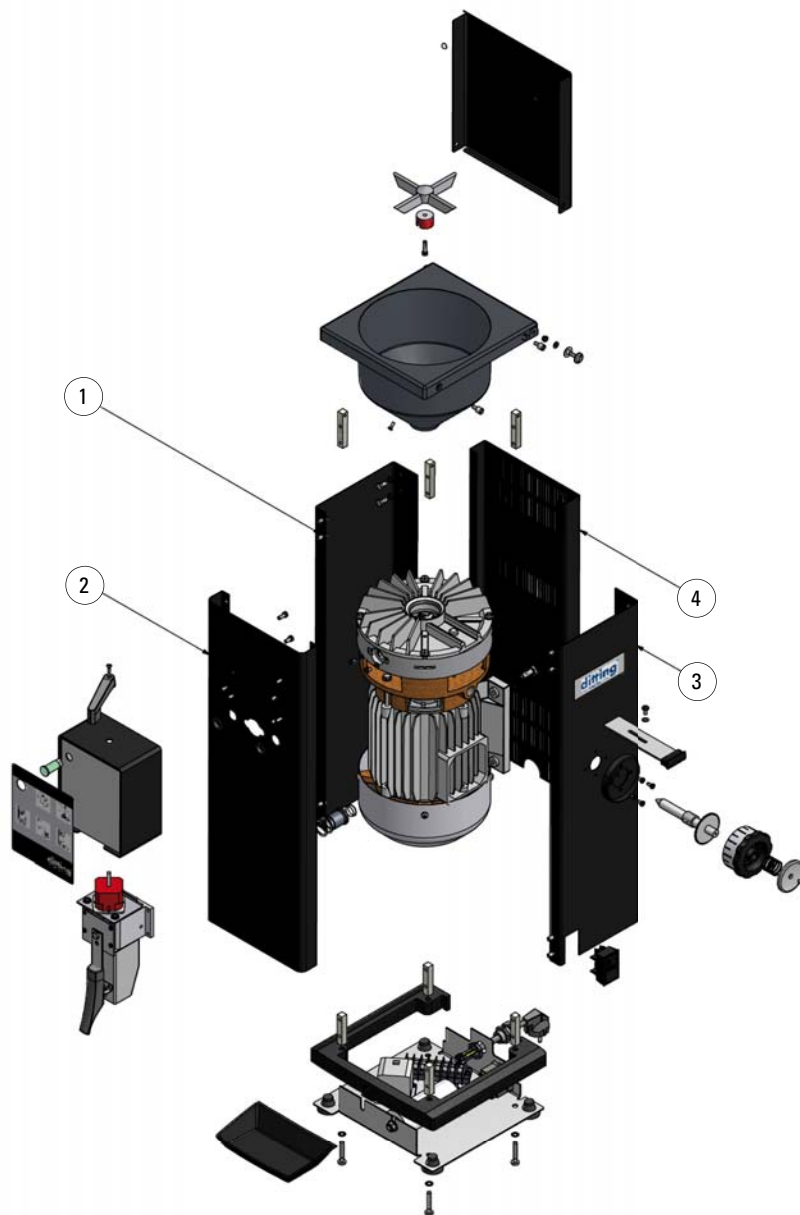


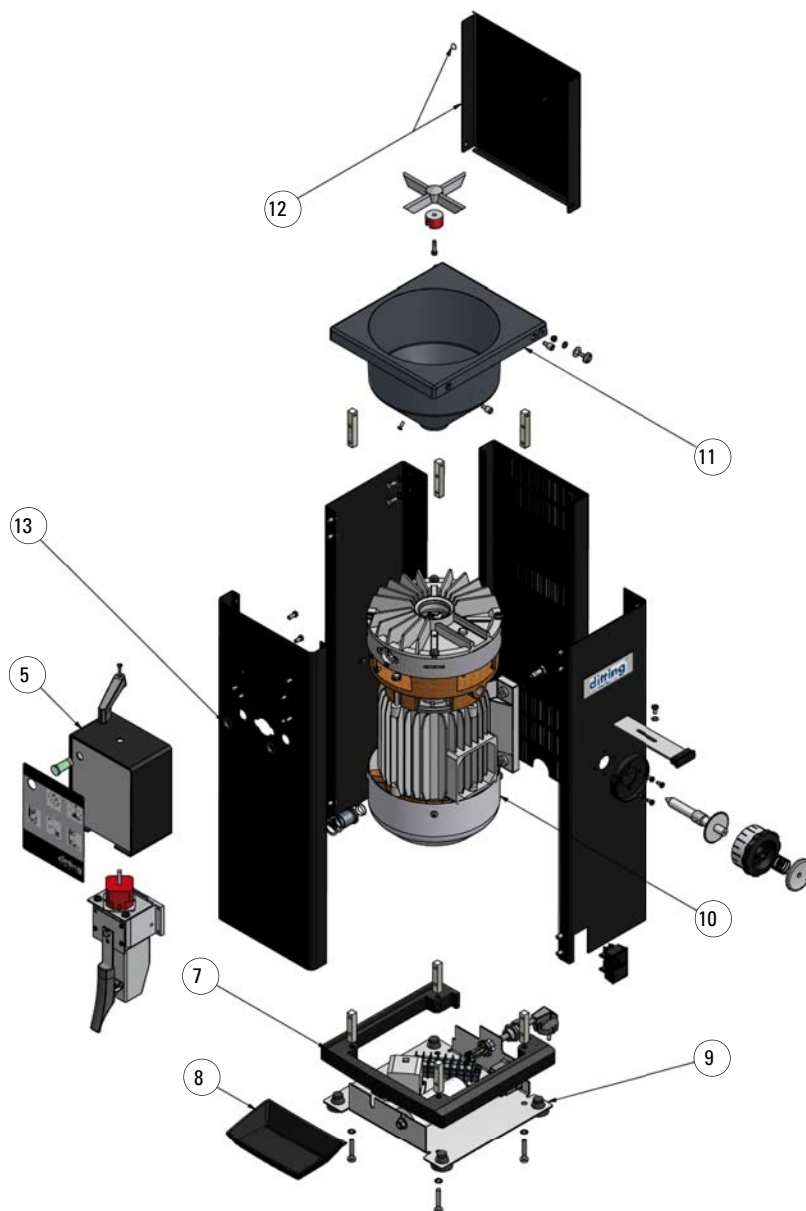
Valid from 01.01.2012
Supersedes all previously issued spare parts lists

Subject to change without prior notice.



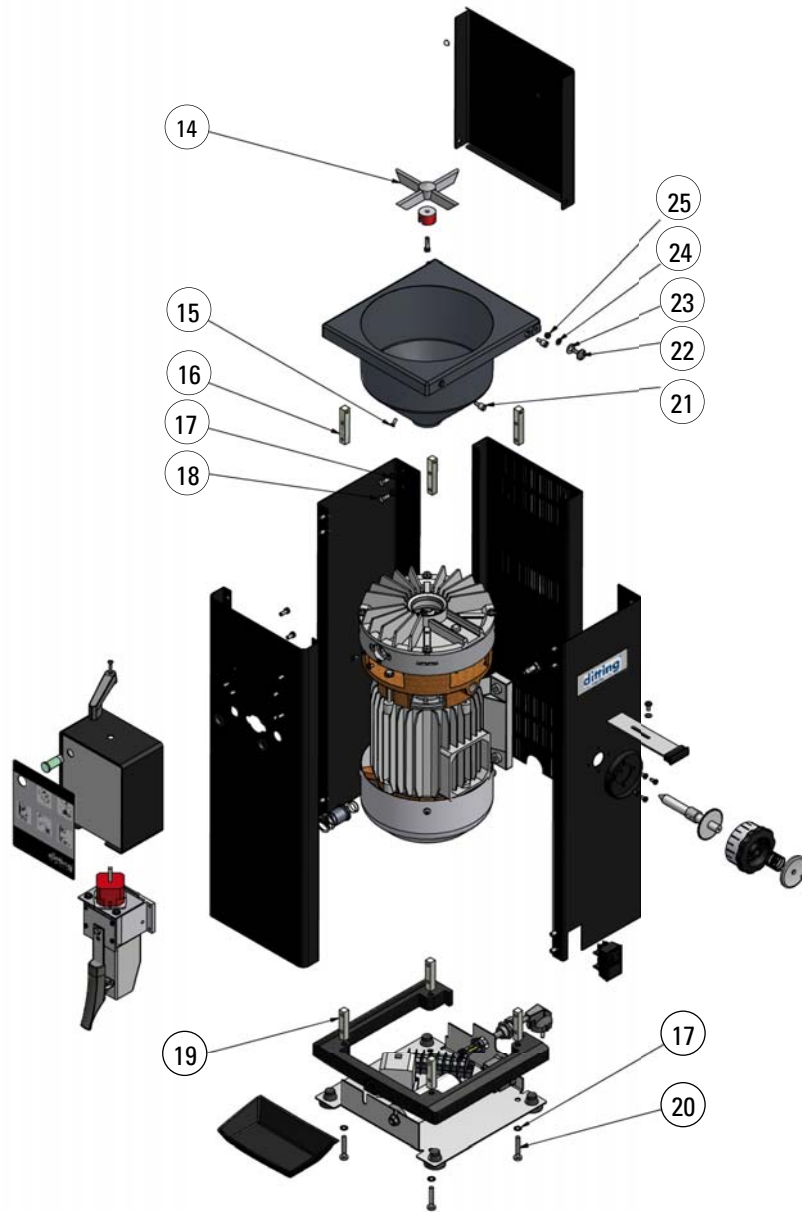
Type: KF 1203, 220-240V 50Hz

ARTICLE NO.	DRAWING NO.	DESCRIPTION	QUANTITY
240'046	1	Housing panel, brown colour	1
240'719	1	Housing panel, black colour	1
241'376	1	Housing panel, red colour	1
243'255	2	Housing panel complete, brown colour	1
243'256	2	Housing panel complete, black colour	1
243'257	2	Housing panel complete, red colour	1
240'040	3	Housing panel, brown colour	1
240'715	3	Housing panel, black colour	1
241'370	3	Housing panel, red colour	1
243'270	4	Housing panel, brown colour	1
243'271	4	Housing panel, black colour	1
243'272	4	Housing panel, red colour	1



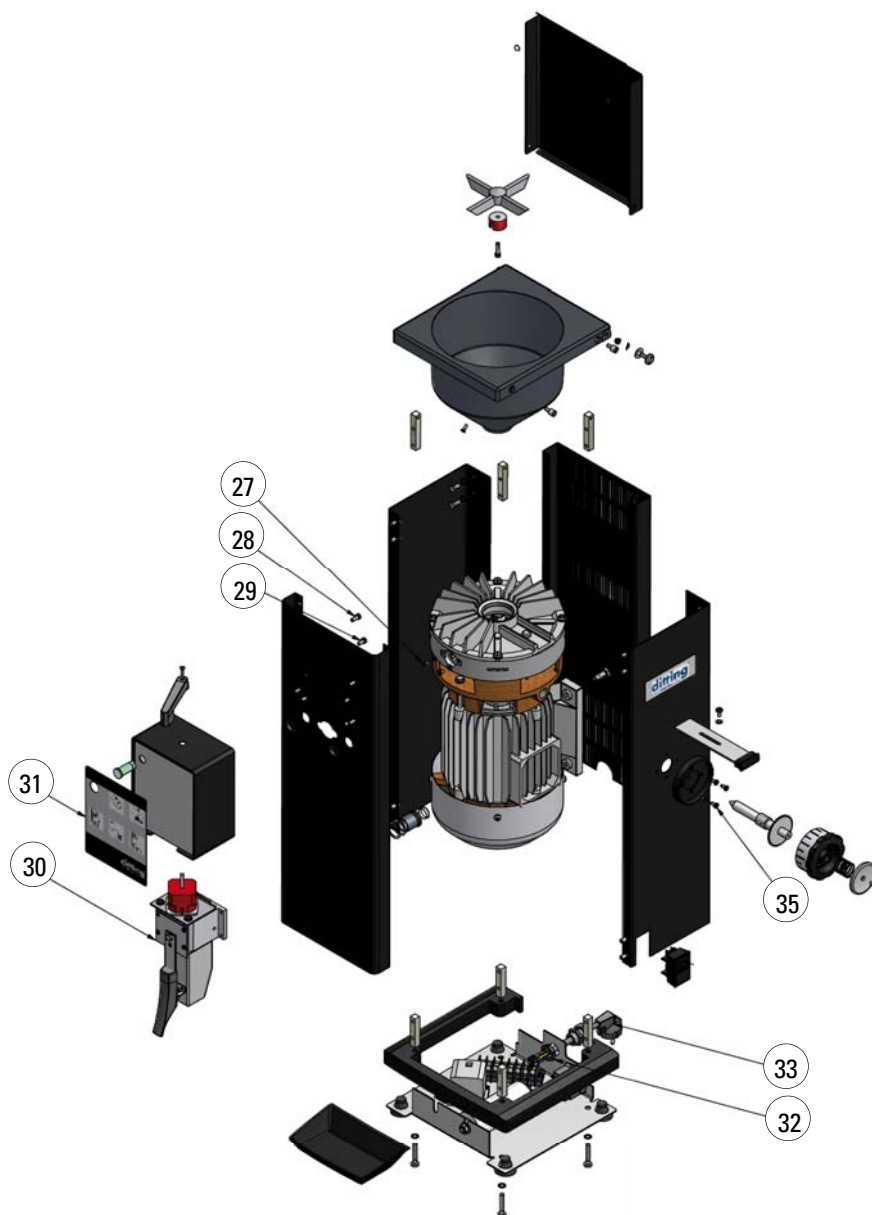
Type: KF 1203, 220-240V 50Hz

ARTICLE NO.	DRAWING NO.	DESCRIPTION	QUANTITY
240'440	5	Discharge housing, brown colour	1
240'721	5	Discharge housing, black colour	1
241'365	5	Discharge housing, red colour	1
241'281	7	Bottom frame black colour	1
230'205	8	Tray black	1
230'287	9	Bottom panel complete	1
240'556	10	Motor assembly complete, standard	1
241'405	11	Hopper	1
241'400	12	Cover lid	1
255'700	13	Cable gland	2



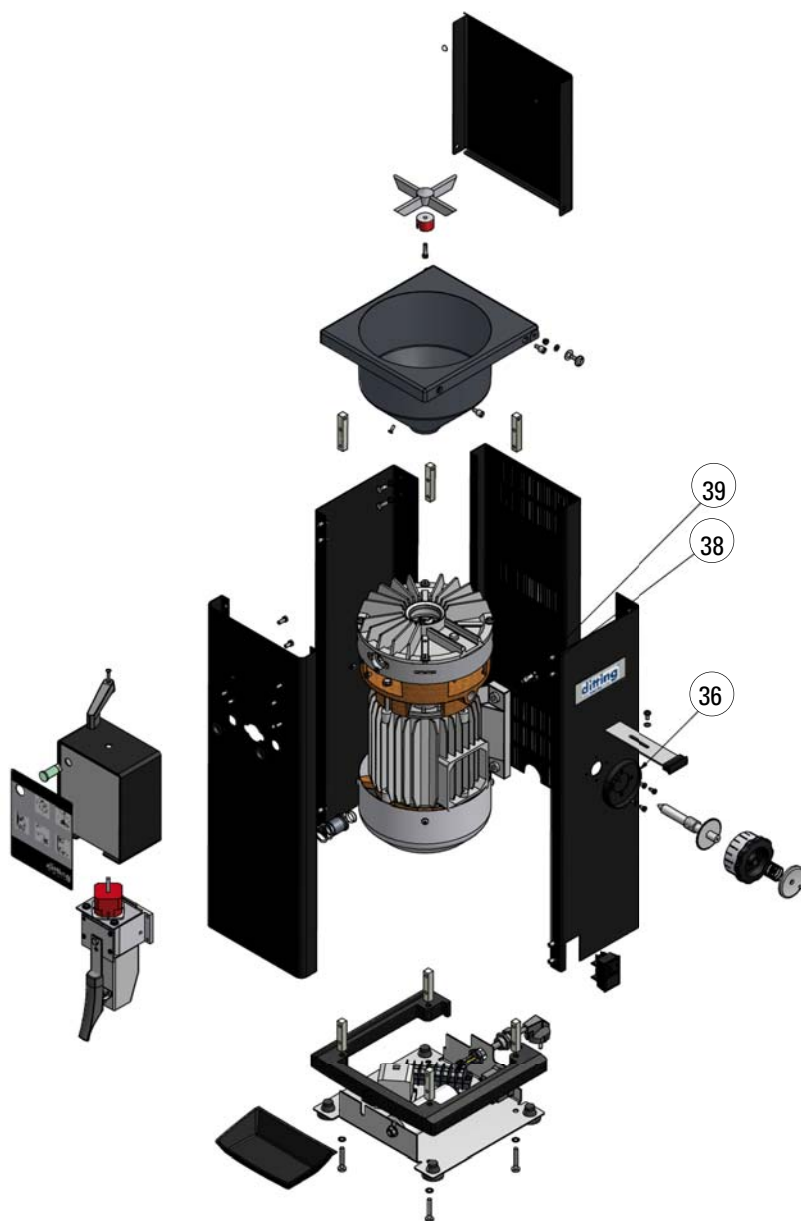
Type: KF 1203, 220-240V 50Hz

ARTICLE NO.	DRAWING NO.	DESCRIPTION	QUANTITY
240'198	14	Magnet with holder	1
250'918	15	Screw DIN 7971 C 3.5x9.5	2
241'396	16	Hopper attachement front	4
251'502	17	Washer M6 DIN 6797 A	20
250'300	18	Screw ISO 4017-M6x12	16
240'126	19	Bolt	4
250'451	20	Pan Head-Screw	4
241'288	21	Screw for fixing the hopper	4
241'457	22	Screw for cover lid	2
252'408	23	Plate spring 16x8.2x0.9/1.25	2
251'508	24	Washer 5.3x10x1 DIN 125	2
251'012	25	Locknut M5 DIN 985	2



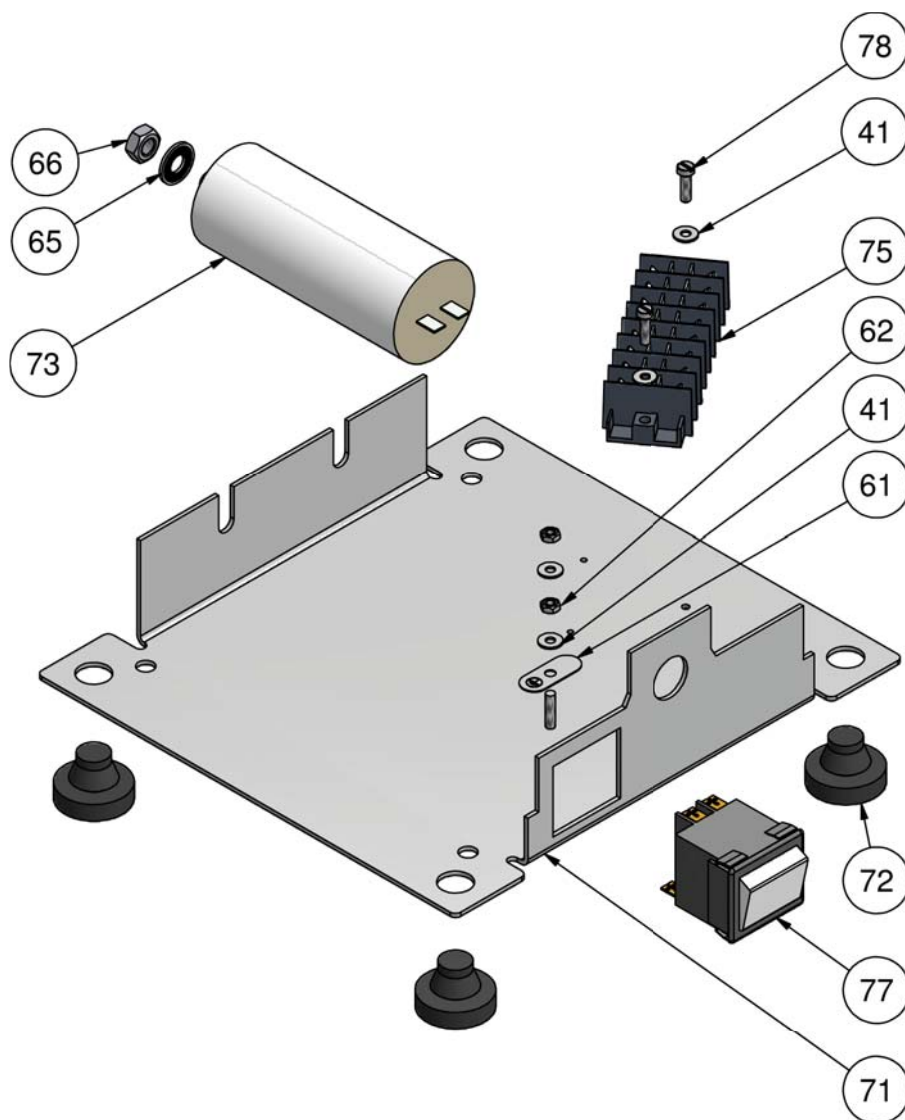
Type: KF 1203, 220-240V 50Hz

ARTICLE NO.	DRAWING NO.	DESCRIPTION	QUANTITY
250'403	27	Screw ISO 1207-M4x8 z1	2
250'306	28	Screw ISO 4017-M5x12	4
250'305	29	Screw ISO 4017-M5x10	4
241'827	30	Discharge assy	1
230'115	31	Operating panel KF, german language	1
230'110	31	Operating panel KF, english language	1
	31	Operating panel different language	1
251'010	32	Hexagonal nut PG11 L DIN 46320-FS/PA	1
242'945	33	Cable 3x1 H05 RN-F	1
243'155	33	Cable with safety plug	1
250'907	35	Tapping screw ISO 1481-4.2x6.5	4



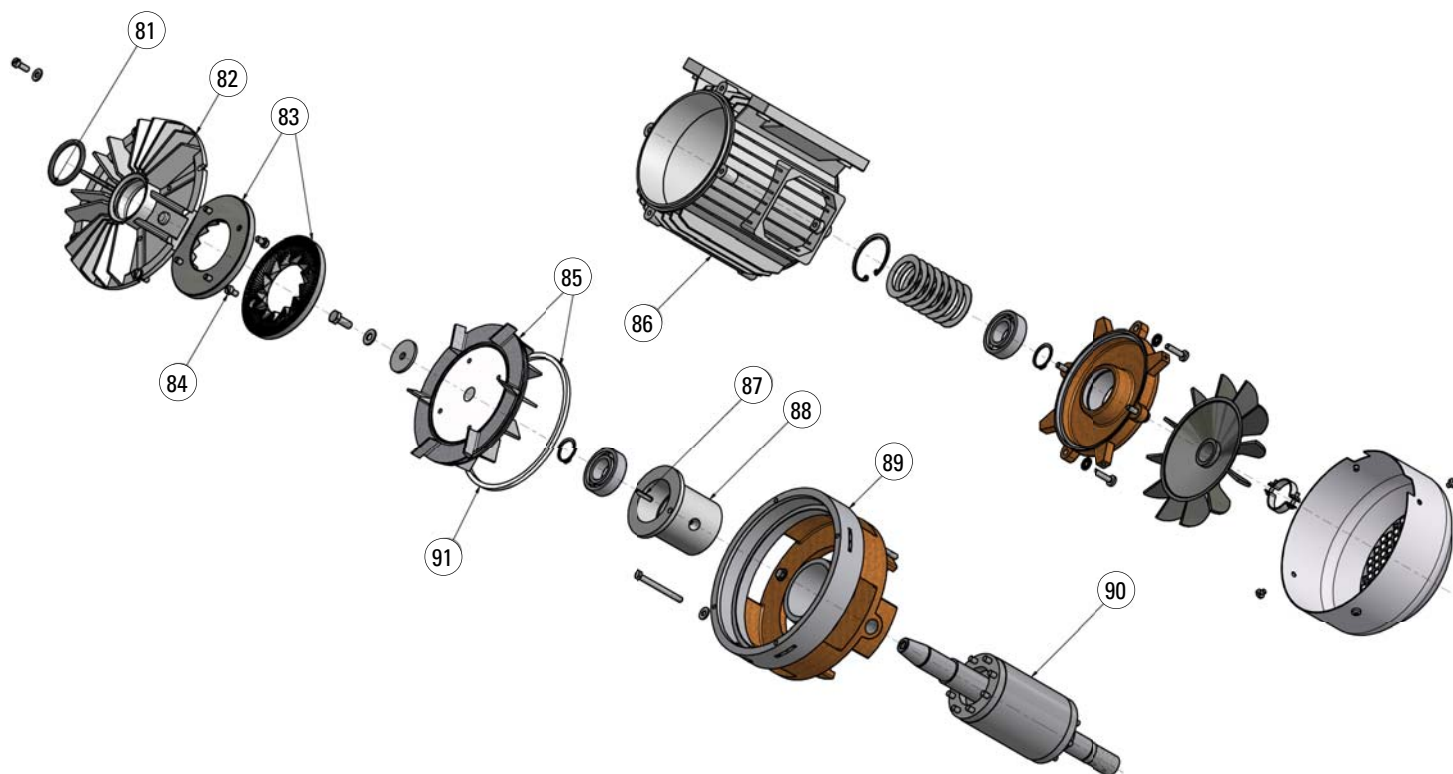
Type: KF 1203, 220-240V 50Hz

ARTICLE NO.	DRAWING NO.	DESCRIPTION	QUANTITY
230'049	36	Collar	1
250'319	38	Screw ISO 4017-M8x20, 8.8	4
251'521	39	Lock washer M8 DIN 6798 A	4



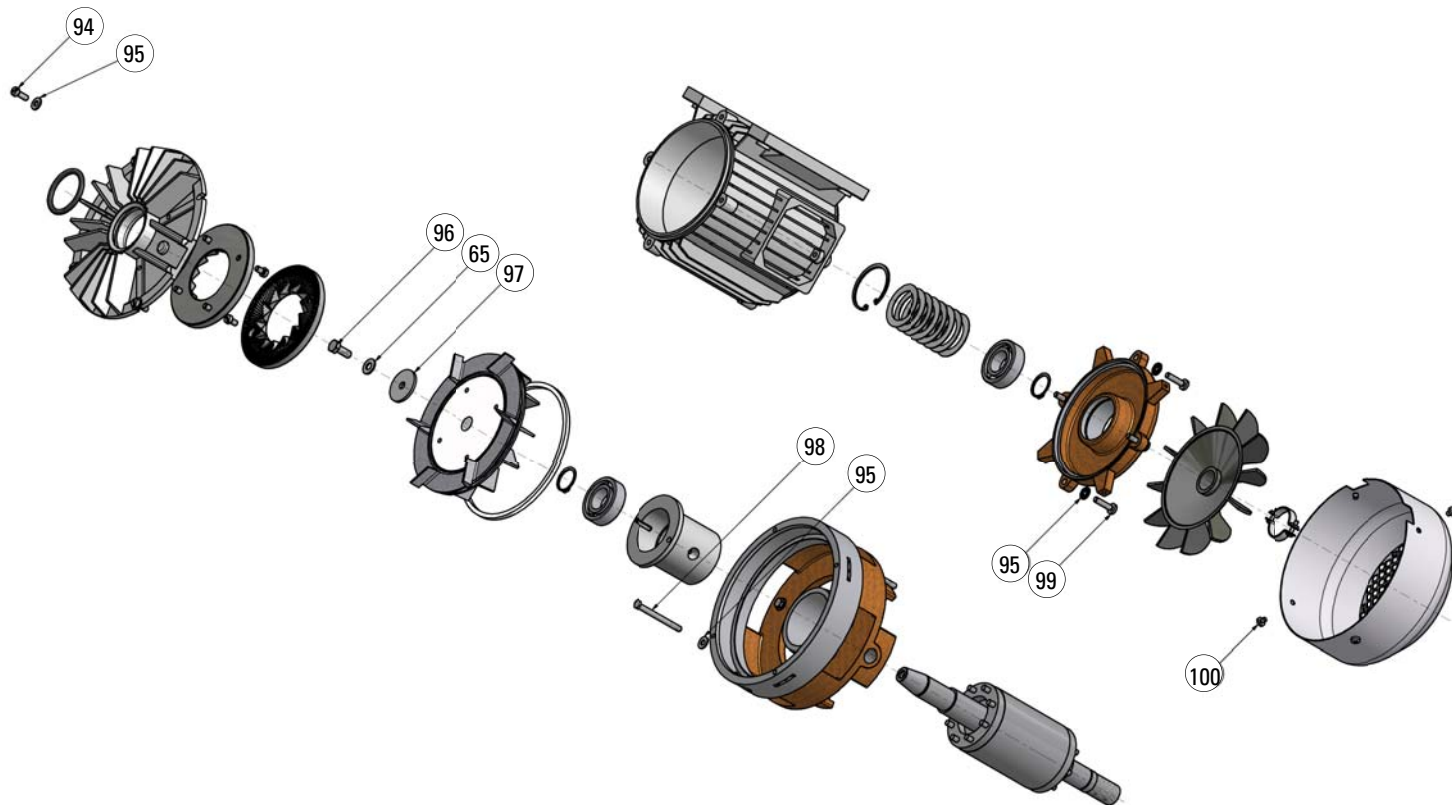
Type: KF 1203, 220-240V 50Hz

ARTICLE NO.	DRAWING NO.	DESCRIPTION	QUANTITY
251'516	41	Washer M4	4
240'234	61	Ground plate	1
251'004	62	Hexagonal nut M4x0.8d DIN 934	2
251'536	65	Washer M8 Geomet 500	1
251'007	66	Hexagonal nut M8x0.8d DIN 934 zincked	1
250'408	78	Screw ISO 1207-M4x14 zincked	2
241'340	71	Bottom panel	1
240'918	72	Rubber foot	4
257'303	73	Capacitor 40 Mfd 450 VAC DB	1
256'403	75	Jointing strip 6.3 8 pole	1
257'112	77	Overload protection	1



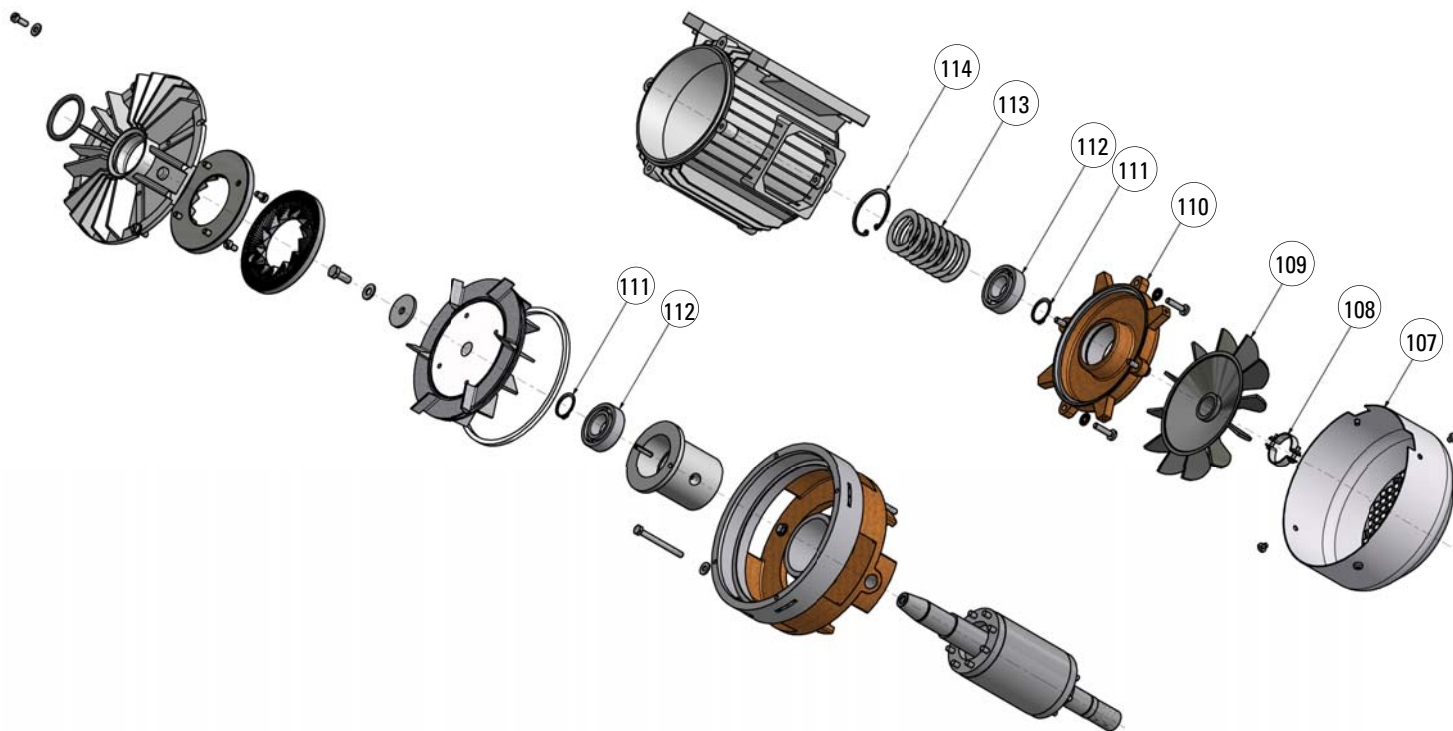
Type: KF 1203, 220-240V 50Hz

ARTICLE NO.	DRAWING NO.	DESCRIPTION	QUANTITY
255'501	81	O-ring 5.34x43.82	1
220'023	82	Stationary disc flange Ø 120	1
275'604	83	Grinding disc set Ø 120	1
250'484	84	Screw ISO ISO 1207-M6x10 A2	8
240'489	85	Rotating disc flange Ø 120, with felt ring	1
240'572	86	Stator pre-assembled	1
254'405	87	Rollpin 5x24 VSM 12785	1
240'124	88	Ball bearing sleeve	1
210'027	89	Housing	1
230'052	90	Rotor shaft	1
240'000	91	Felt ring	1



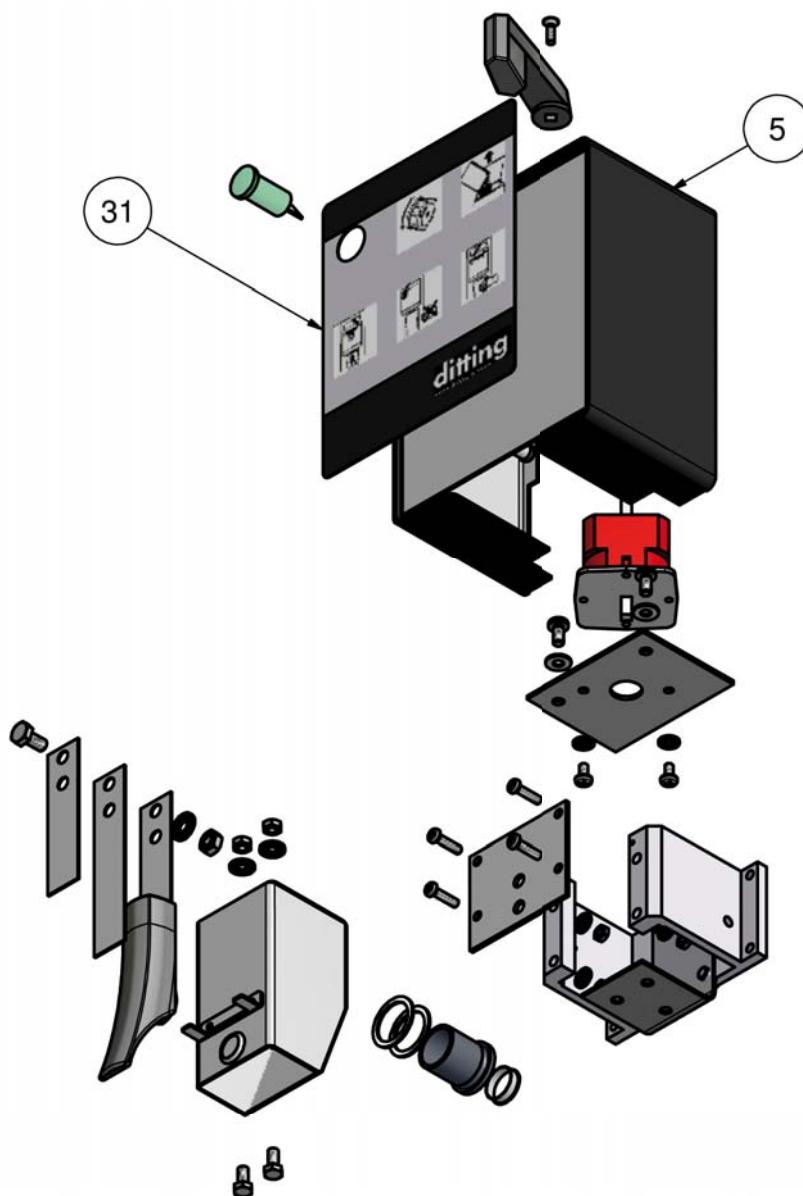
Type: KF 1203, 220-240V 50Hz

ARTICLE NO.	DRAWING NO.	DESCRIPTION	QUANTITY
251'536	65	Washer M8 Geomet 500	1
250'422	94	Screw ISO 1207-M6x16 zincked	4
251'518	95	Washer M6, Geomet 500	11
250'332	96	Screw ISO 4017-M8x20 A2	1
242'890	97	Washer D38/8.1x3	1
250'312	98	Screw ISO 4014-M6x65 zincked	3
250'424	99	Screw ISO 7048-M6x25 Ks H zincked	4
250'413	100	Screw ISO 7048-M5x6 Ks H zincked	4



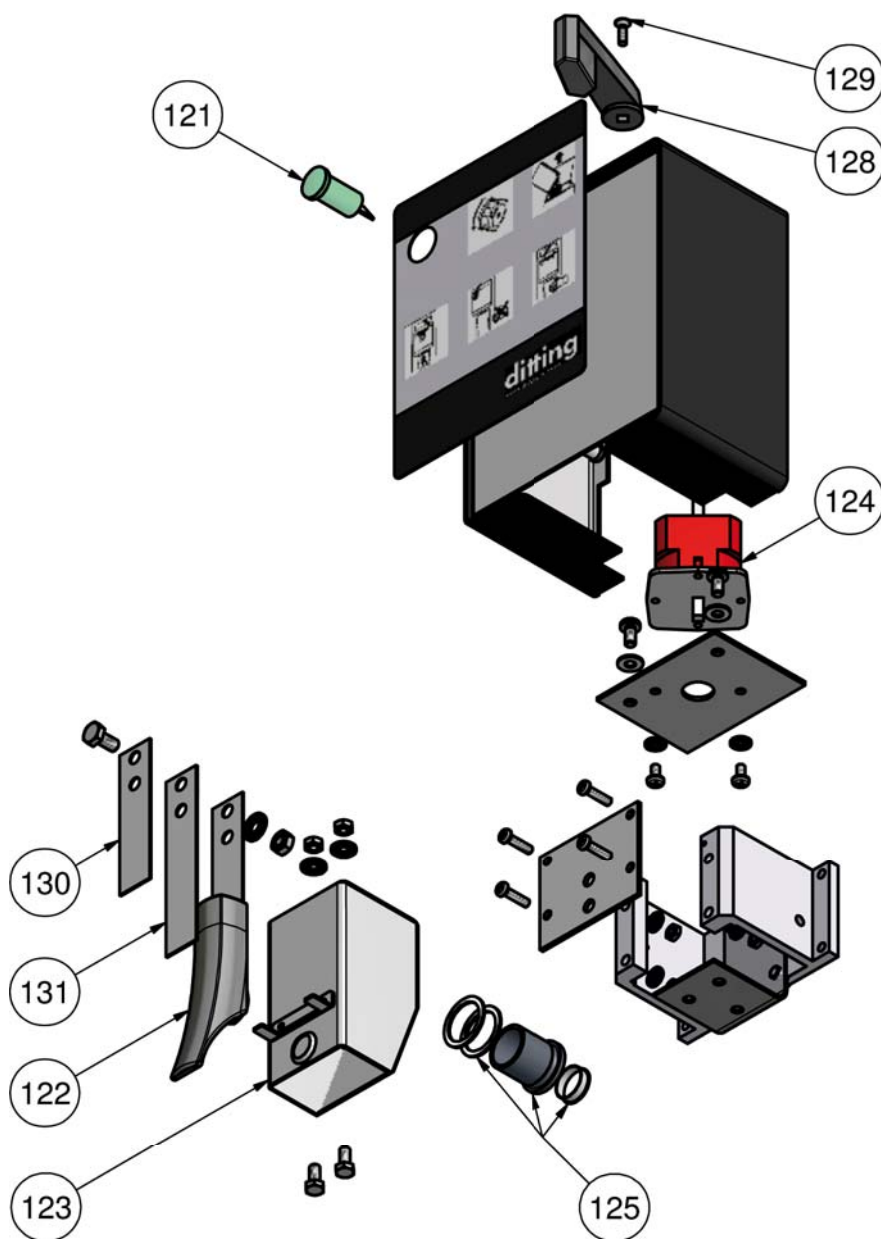
Type: KF 1203, 220-240V 50Hz

ARTICLE NO.	DRAWING NO.	DESCRIPTION	QUANTITY
240'189	107	Ventilation hood	1
254'806	108	Clamp collar D 37.5x9	1
255'900	109	Fan blade V 100R	1
230'053	110	Bearing support housing	1
252'014	111	Circlip 25Ax1.2 DIN 471	2
254'002	112	Ball bearing 6205.2ZR 25x52x15	2
252'405	113	Plate spring 51.5x35.5x0.6/1.50	8
252'013	114	Circlip 52ix2 DIN 472	1



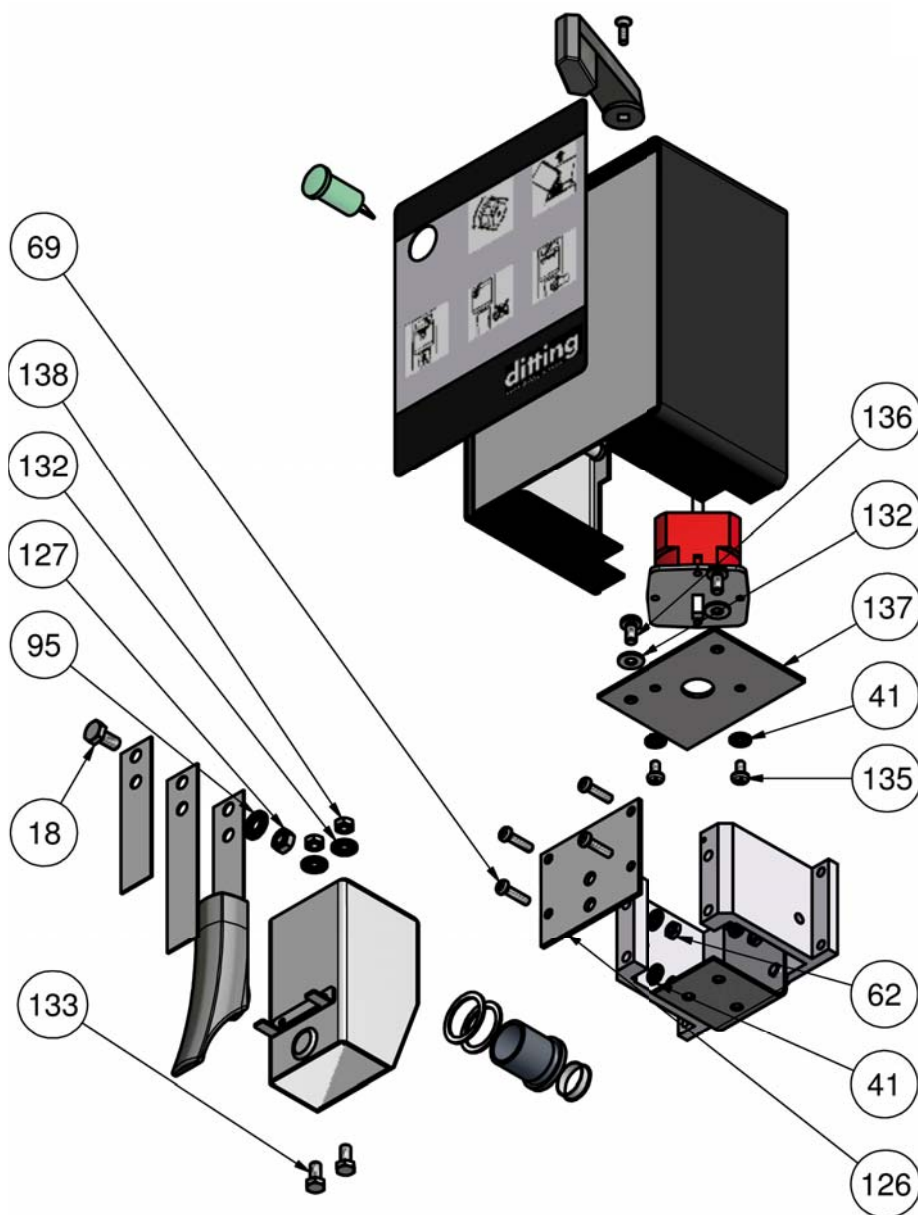
Type: KF 1203, 220-240V 50Hz

ARTICLE NO.	DRAWING NO.	DESCRIPTION	QUANTITY
240'440	5	Discharge housing, brown colour	1
240'721	5	Discharge housing, black colour	1
241'365	5	Discharge housing, red colour	1
230'115	31	Operating panel KF, german language	1
230'110	31	Operating panel KF, english language	1
	31	Operating panel, different language	1



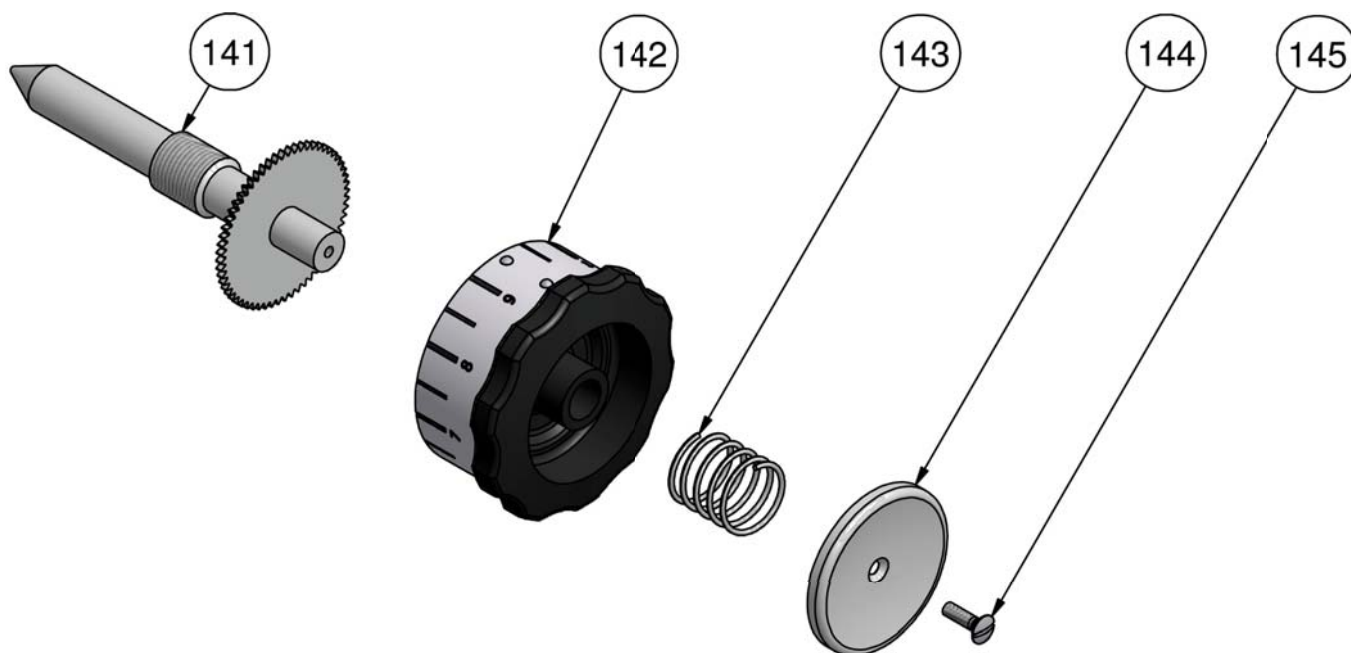
Type: KF 1203, 220-240V 50Hz

ARTICLE NO.	DRAWING NO.	DESCRIPTION	QUANTITY
257'604	121	Pilot lamp 230V green	1
243'584	122	Bag holding lever	1
240'628	123	Discharge tube	1
257'402	124	Camshaft switch 2 pole UL	1
240'197	125	Rubber tube assembly	1
240'239	128	Switch handle	1
250'213	129	Screw ISO 2010-M3.5x12 zinked	1
240'250	130	Laminated spring	1
240'251	131	Laminated spring	1



Type: KF 1203, 220-240V 50Hz

ARTICLE NO.	DRAWING NO.	DESCRIPTION	QUANTITY
250'300	18	Screw ISO 4017-M6x12 zinked	1
251'516	41	Washer M4 zinked	6
251'004	62	Nut M4x0.8d DIN 934 zinked	4
250'409	69	Screw ISO 7048-M4x16 Ks H zinked	4
251'518	95	Washer M6, Geomet 500	2
240'255	126	Plate	1
251'006	127	Nut M6x0.8d DIN 934 zinked	2
251'517	132	Washer M5, Geomet 500	4
250'305	133	Screw ISO 4017-M5x10 zinked	2
250'427	135	Screw ISO 7045-M4x8 Ks H zinked	2
250'431	136	Screw ISO 7045-M5x10 Ks H zinked	2
240'240	137	Mounting plate	1
251'005	138	Nut M5x0.8d DIN 934 zinked	2



Type: KF 1203, 220-240V 50Hz

ARTICLE NO.	DRAWING NO.	DESCRIPTION	QUANTITY
240'488	141	Adjusting cone	1
241'276	142	Adjusting knob, german language	1
240'536	142	Adjusting knob, english language	1
	142	Adjusting knob, different language	1
240'078	143	Spring F/UG/804-1403	1
240'034	144	Cover F/UG/804-1403	1
250'200	145	Screw ISO 2010-M4x14	1