

EXPLODED VIEW

STARK
GRINDER DOSER

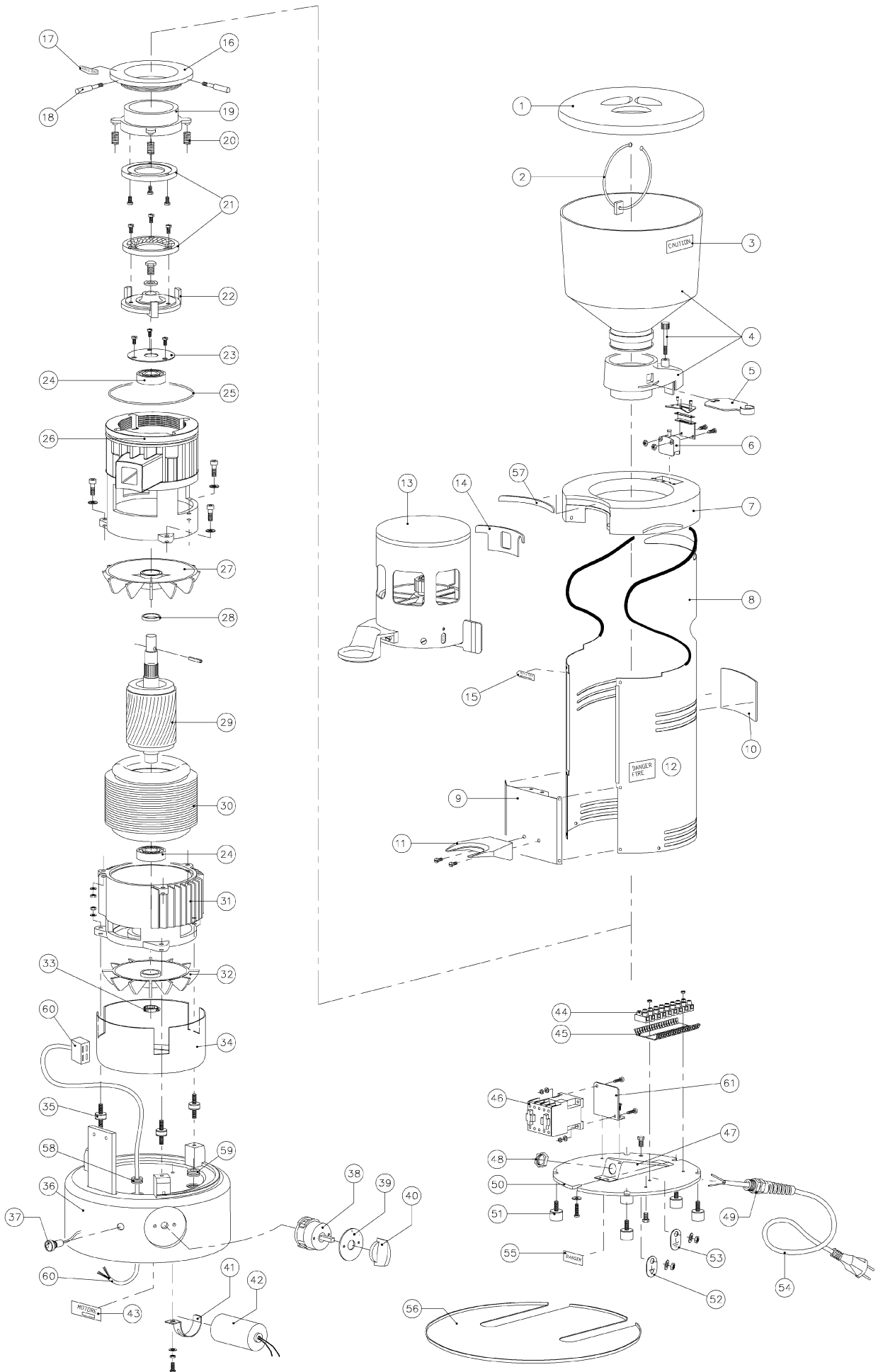
ESSKDOS03.00 09/2009



MAZZER LUIGI s.r.l
VIA MOGLIANESE, 113
30030 GARDIGIANO DI SCORZE' (VE)
ITALIA
TEL. +39 041 5830200 r.a. - FAX +39 041 5830060
E-mail: mazzler@mazzler.com - <http://www.mazzler.com>

N.	DESCRIPTION	CODE	Q.	NOTES
1	Hopper cover	S000COD01	1	
2	Magnet with ring	S00SCAC01	-	Optional
3	Label "Caution Hopper"	S000ETA15	1	110V/60Hz versions 220V/60Hz versions
4	Major/Robur complete Hopper set	S00SCAE03	1	(hopper + adapter + pin)
5	Robur collar locking slide	S000SEB02	1	
6	Safety switch	S000INR01	1	
7	Head for Stark	SSK0TEB01	1	
8	Stark body	PSK0MAN01	1	
9	Front panel for Stark	PSK0FRO01	1	
10	Label "4M"	S000ETA12	1	
11	Fork for filterholder rest	S000FOB02	1	
12	Label "Caution Fire"	S000ETA20	1	110V/60Hz versions 220V/60Hz versions
13a	Automatic doser	SMJSGRL05	1	Automatic versions
13b	Automatic doser - ETL	SMJSGRE05	1	Automatic versions
14	Gasket Aer-Stop	S000GUA01	1	
15	Label "Motor rotation"	S000ETA00	1	
16	Coffee grinding adjustment disk - Major	SMJ0GHA04	1	
17	Label: Coarse - fine / Adjustment initial position	S000ETA03	1	
18	Grinding adjustment disk handle	SSJSPEA04	2	
19	Upper grinding blade holder Major/Royal/Stark	SRLOPOA06	1	
20	Grinding adjustment spring	SSJ0MOB01	4	
21a	Grinding blade set rif. 151B	FMA00151B	1	Single phase versions
21b	Grinding blade set rif. 151C	FMA00151C	1	Three phase versions
22	Lower grinding blade holde Major/Royal	SMJ0POA07	1	
23	Major cover bearing	SMJ0COA02	1	
24	Bearing 6204 DDU CM	S000CUA04	2	
25	Ring O.R. - SEAL 4462 NB70	S000ANA03	1	
26	Grinding tray for Stark	SSK0BAA03	1	
27	Major cooling fan	SMJ0VEA01	1	
28	Fixing ring fan	SRLOANA01	1	
29	Royal/Stark rotor	SSK0ROA02	1	
30a	Royal/Stark coiled stator-single phase 220-240V/50Hz	SRLSPA01	1	220-240V/50Hz single phase vers.
30b	Royal/Stark coiled stator-three phase 230-400V/50Hz	SRLSPA03	1	230-400V/50Hz three phase vers.
30c	Royal/Stark coiled stator-single phase 110V/60Hz	SRLSPA08	1	110V/60Hz single phase versions
30d	Royal/Stark coiled stator-single phase 220V/60Hz	SRLSPA01	1	220V/60Hz single phase versions
31	Lower motor cap Robur/Royal	SRLOCAB01	1	
32	Fun "80 B-Y"	S000VEA04	1	
33	Fan fixing clamp	S000FAA01	1	
34	Fan cover	SSK0COV01	1	
35	A20x8,5 M vibration damping	S000ANV04	3	
36	Base for Stark	SSKSBAA02	1	
37a	Pilot light 230/400V - green	S000LAA06	1	220-240V/50Hz single phase vers. 230-400V/50Hz three phase vers. 220V/60Hz single phase versions
37b	Pilot light 110V UL - red	S000LAA07	1	110V/60Hz versions
38a	Two pole rotative switch with auxiliary phase	S000INA13	1	Automatic single phase versions
38b	Three pole rotative switch with auxiliary phase	S000INA10	1	Automatic three phase versions
39	Switch plate - O / I / START	-	1	Automatic versions
40	Rotative switch knob	-	1	
41	Capacitor locking clamp 40	S000GRB05	1	
42a	Capacitor 16uF	S000COE03	1	220-240V/50Hz single phase vers. 220V/60Hz single phase vers.
42b	Capacitor 60uF UL	S000COE09	1	110V/60Hz single phase vers.
43	Motor label	-	1	
44	Terminal blocks	S000MOA04	1	12 poles
45	Under terminal board	S000SOT02	1	12 poles
46a	Contacteur BF16.10 - 230V/50Hz	S000COC12	1	220-230V/50Hz single phase vers. 230V/50Hz three phase vers.
46b	Contacteur BF16.10 - 240V/50Hz	S000COC14	1	230-240V/50Hz single phase vers. 240V/50Hz single phase vers.
46c	Contacteur BF16.10 - 110V/60Hz	S000COC10	1	110V/50Hz single phase vers.
46d	Contacteur BF16.10 - 220V/60Hz	S000COC17	1	220V/60Hz single phase vers.
46e	Contacteur BF16.10 - 380V/50Hz	S000COC13	1	380V/50Hz three phase vers.
46f	Contacteur BF16.10 - 415V/50Hz	S000COC22	1	415V/50Hz three phase vers.
47	Cable locking support	S000SUA01	1	
48	Nut for cable locking PG11	S000DAA02	1	
49	Flexible Cable locking PG11 black	S000PAB04	1	
50	Stark bottom plate	SSK0PIN01	1	

N.	DESCRIPTION	CODE	Q.	NOTES
51	DD 2015 H support leg	P000PIA04	5	
52	"External unipotential clamp" plate	S000TAA19	1	CE versions
53	"Ground" plate	S000TAA18	1	
54a	Electric cable "Italy" single phase	S000CAD01	1	230V/50Hz single phase vers.
54b	Electric cable - three phase 220-230V	S000CAD09	1	200-230V three phase vers.
54c	Electric cable - three phase 380-400V	S000CAD03	1	380-415V three phase vers.
54d	Electric cable "Europe"	S000CAD04	1	230V/50Hz single phase vers. 220V/60Hz single phase vers.
54e	Electric cable "USA"	S000CAD05	1	110V/60Hz single phase vers.
54f	Electric cable "Australia"	S000CAD07	1	
54g	Electric cable "Great Britain"	S000CAD08	1	
54h	Electric cable "Israel"	S000CAD10	1	
54i	Electric cable "Switzerland"	S000CAD06	1	
54l	Electric cable "China"	S000CAD16	1	
54m	Electric cable "Argentina"	S000CAD18	1	
54n	Electric cable "Korea"	S000CAD19	1	
55	Label: "Danger"	S000ETA14	1	110V/60Hz versions 220V/60Hz versions
56	Drip tray	SSK0PIB03	1	
57	Upper gasket	S000GUA03	1	
58	Cable locking 70-120-20 black	S000PAB13	1	
59	Cable locking 110-150-20 black	S000PAB14	1	
60	Wirings for upper and lower microswitch	S00SCAB01	1	
61	Contactora BF16.10 support plate	S000PIA05	1	



N.	DESCRIPTION	CODE	Q.	NOTES
1	Doser cover	S000COD02	1	
2	Cylinder for doser	S000CIA03	1	
3	Dose adjustment knob	S000MAB02	1	
4	Upper dosing star	SMJSSTA04	1	
5	Coffee outlet covering section plate	S000SEA01	1	
6	Female dosing star	S000STA03	1	
7	Dosing system pressing spring	S000MOB05	1	
8	Male dosing star	S000STA02	1	
9	Upper microswitch	S00SMIA07	1	
10	Doser pipe	SMJOTUA04	1	
11a	Coffee pressing device D.53	S000PRA02	1	
11b	Coffee pressing device D.54,5	S000PRA02	1	
11c	Coffee pressing device D.57,5	S000PRA02	1	
12	Corrugated ring D.32	S000ANA01	1	
13	Ratchet	S000CRA02	1	
14	Doser adjustment screw - M8x70	S000VIA01	1	
15	Lower microswitch spring	S000MOB06	1	
16	Lower microswitch star	S000STA05	1	
17	Lower microswitch	S00SMIA04	1	
18	Counter	S00SCOB02	1	
19	Dosing lever return spring	S000MOB03	1	
20	Nose	S000NAA01	1	
21	Doser bottom	S000FOA03	1	
22	Nose spring	S000MOB04	1	
23	Dosing lever	S00SLEA02	1	
24	Doser bottom set	S00SFOA01	1	
25	Coffee outlet guard	S000PRB02	1	
26	Screw without slot	S000VIA04	2	ETL versions
27	Doser washer D.50 thick. 0,4	S000ROA02	1	
28	Lower microswitch star space	S000DIA01	1	
29	Label "Danger"	S000ETA14	1	110/60Hz versions 220V/60Hz versions
30	Oversized female dosing star	S000STA06	1	
31	Oversized dose adjustment knob	S000MAB03	1	
32	Oversized star with dosing knob	S00SGRA08	1	

