

EXPLODER VIEW

LUX GRINDER DOSER

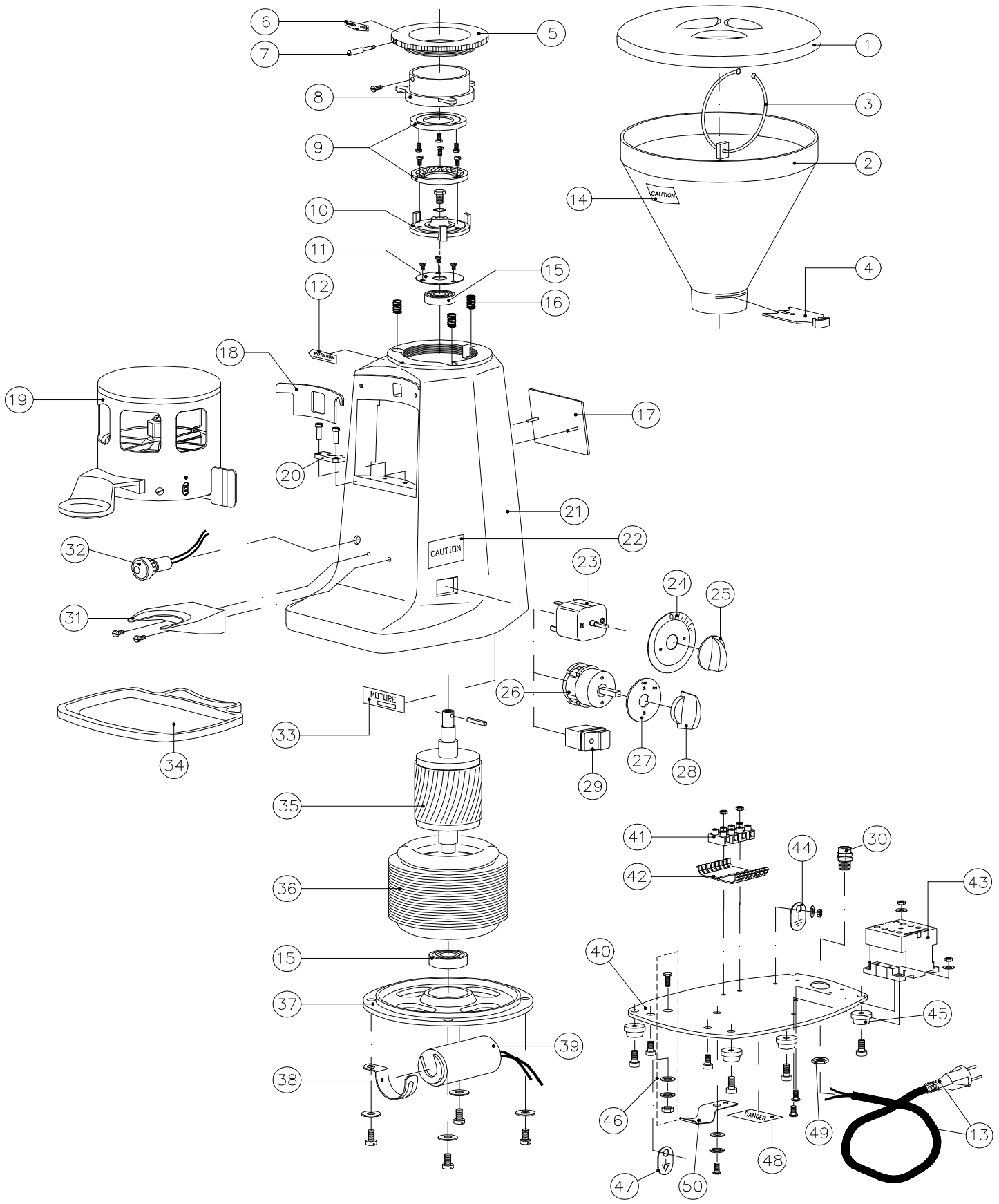
ESLXDOS01.00 09/2009



MAZZER LUIGI s.r.l
VIA MOGLIANESE, 113
30030 GARDIGIANO DI SCORZE' (VE)
ITALIA
TEL. +39 041 5830200 r.a. - FAX +39 041 5830060
E-mail: mazz@mazz.com – <http://www.mazz.com>

N.	DESCRIPTION	CODE	Q.	NOTES
1	Hopper cover	S000COD01	1	
2	Super Jolly Hopper	S000CAE02	1	
3	Magnet with ring	S00SCAC01	-	Optional
4	Hopper locking slide	SMI0SEB01	1	
5	Coffee grinding adjustment disk Super Jolly	SSJ0GHA02	1	
6	Label: Coarse-fine / Adjustment initial position	S000ETA03	1	
7	Grinding adjustment disk handle	SSJSPEA04	1	
8	Upper grinding blade holder Lux	SLX0POA02	1	
9	Grinding blade set (ref. 195D)	FMA00195D	1	
10	Lower grinding blade holder Lux	SLX0POA01	1	
11	Super Jolly cover bearing	SSJ0COA01	1	
12	Label "Motor rotation"	S000ETA00	1	
13a	Electric cable - "Italy" single phase	S000CAD01	1	
13b	Electric cable - "Europe"	S000CAD04	1	
13c	Electric cable - "USA"	S000CAD05	1	
13d	Electric cable - "Australia"	S000CAD07	1	
13e	Electric cable - "Great Britain"	S000CAD08	1	
13f	Electric cable - "Israel"	S000CAD10	1	
13g	Electric cable - "Switzerland"	S000CAD06	1	
13h	Electric cable - "China"	S000CAD16	1	
13i	Electric cable - "Argentina"	S000CAD18	1	
13j	Electric cable - "Korea"	S000CAD19	1	
14	Label: "Caution - Hopper"	S000ETA15	1	110V/60Hz versions 100V/50-60Hz versions 115-127V/60Hz versions 220V/60Hz versions
15	Bearing 6202 DDU CM	S000CUA07	2	
16	Grinding adjustment spring	SSJ0MOB01	3	
17	"Mazzer 4M" plate	S000TAA02	1	
18	Gasket	S000GUA01	1	
19a	Manual doser/timer	SMISGRA01	1	
19b	Automatic doser	SMISGRL03	1	
19c	Manual doser/timer with counter	SMISGRA05	1	
19d	Manual doser/timer ETL	SMISGRE01	1	110V/60Hz versions
19e	Automatic doser ETL	SMISGRE03	1	110V/60Hz versions
19f	Manual doser/timer with counter ETL	SMISGRE05	1	110V/60Hz versions
20	Doser fixing block	S000PIA10	1	110V/60Hz versions 115-127V/60Hz versions
21a	Body	SLX0CAA02	1	Automatic/Timer versions
21b	Body	SLX0CAA01	1	Manual versions
22	"Caution" plate	S000TAA20	1	110V/60Hz versions 100V/50-60Hz versions 115-127V/60Hz versions
23	Two pole time switch	S000TIA02	1	Timer versions
24	Time switch plate	S000TAA03	1	Timer versions
25	Time switch knob	S000MAB01	1	Timer versions
26	Two pole rotative switch with auxiliary phase	S000INA13	1	Automatic versions
27	Switch plate O / I / START	-	1	Automatic versions
28	Rotative switch knob	-	1	Automatic versions
29	Green light switch N/N/V	S000INA12	1	Manual versions
30	Cable locking PG11 black	S000PAB03	1	
31	Fork for filterholder rest	S000FOB02	1	
32a	Pilot light 230/400V, green	S000LAA06	1	220-240V/50Hz versions 220V/60Hz versions
32b	Pilot light 110V UL, red	S000LAA07	1	110V/60Hz versions 100V/50-60Hz versions 115-127V/60Hz versions
33	Motor label	-	1	
34	Drip Tray	SMI0PIB02	1	
35	Rotor	SMI0ROA00	1	
36a	Coiled stator single phase 220-240V/50Hz	SMISPAE01	1	Single phase 220-240V/50Hz vers
36b	Coiled stator single phase 110V/60Hz	SMISPAU01	1	Single phase 110V/60Hz vers. Single phase 115-127V/60Hz vers.
36c	Coiled stator single phase 220V/60Hz	SMISPAS01	1	Single phase 220V/60Hz vers.
36d	Coiled stator single phase 100V/50-60Hz	SMISPAJ00	1	Single phase 100V/50-60Hz vers.
37	Motor cap	SMI0CAB03	1	
38	Capacitor locking clamp 40	S000GRB05	1	
39a	Capacitor 6,3 uF	S000COE14	1	220-240V/50Hz versions 220V/60Hz versions

N.	DESCRIPTION	CODE	Q.	NOTES
39b	Capacitor 20 uF UL	S000COE13	1	110V/60Hz versions 100V/50-60Hz versions 115-127V/60Hz versions
40a	Lux bottom plate (manual/timer version)	SLX0PIN01	1	Manual/timer versions
40b	Lux bottom plate (automatic version)	SLX0PIN02	1	Automatic versions
41	Terminal blocks	S000MOA04	1	12 poles
42	Under terminal board	S000SOT02	1	12 poles
43a	Contactora BG 9.10 - 110V/60Hz	S000COC20	1	Automatic 110V/60Hz version
43b	Contactora BG 9.10 - 220V/60Hz	S000COC28	1	Automatic 120V/60Hz version
43c	Contactora BG 9.10 - 100V/50-60Hz	S000COC24	1	Automatic 100V/50-60Hz version
43d	Contactora BG 9.10 - 230V/50Hz	S000COC18	1	Automatic 220-240V/50 Hz version
44	"Ground" plate	S000TAA18	1	
45	Support legs	S00SPIA01	4	
46	External unipotential clamp	-	1	CE versions
47	"External unipotential clamp" plate	S000TAA19	1	CE versions
48	Label "Danger"	S000ETA14	1	110V/60Hz versions 100V/50-60Hz versions 115-127V/60Hz versions 220V/60Hz versions
49	Nut for cable locking PG11	S000DAA02	1	
50	Sheet for Drip Tray locking	SMI0LAM01	1	



N.	DESCRIPTION	CODE	Q.	NOTES
1	Doser cover	S000COD02	1	
2	Cylinder for doser	S000CIA02	1	
3	Dose adjustment knob	S000MAB02	1	
4	Upper dosing star	SMISSTA04	1	
5	Coffee outlet covering section plate	S000SEA01	1	
6	Female dosing star	S000STA03	1	
7	Dosing system pressing spring	S000MOB05	1	
8	Male dosing star	S000STA02	1	
9	Upper microswitch	S00SMIA07	1	Automatic version
10a	Manual doser pipe	SMI0TUA02	1	Manual-timer vers.
10b	Automatic doser pipe	SMI0TUA04	1	Automatic version
11a	Coffee pressing device D.53	S000PRA02	1	
11b	Coffee pressing device D.54,5	S000PRA02	1	
11c	Coffee pressing device D.57,5	S000PRA02	1	
12	Corrugated ring D.32	S000ANA01	1	
13	Ratchet	S000CRA02	1	
14	Doser adjustment screw	S000VIA01	1	
15	Lower microswitch spring	S000MOB06	1	Automatic version
16	Lower microswitch star	S000STA05	1	Automatic version
17	Lower microswitch	S00SMIA04	1	Automatic version
18	Counter	S00SCOB02	1	Automatic version
19	Dosing lever return spring	S000MOB03	1	
20	Nose	S000NAA01	1	
21	Doser bottom	S000FOA03	1	
22	Nose spring	S000MOB04	1	
23	Dosing lever	S00SLEA02	1	
24	Doser bottom set	S00SFOA01	1	
25	Coffee outlet guard	SMI0PRB01	1	
26	Screw without slot	S000VIA04	2	110V/60Hz versions 115-127V/60Hz versions
27	Doser washer D.50 thick. 0,4	S000ROA02	1	
28	Lower microswitch star space	S000DIA01	1	
29	Label "Danger"	S000ETA14	1	110V/60Hz versions 100V/50-60Hz versions 115-127V/60Hz versions 220V/60Hz versions
30	Oversized female dosing star	S000STA06	1	
31	Oversized dose adjustment knob	S000MAB03	1	
32	Oversized star with dosing knob	S00SGRA08	1	

